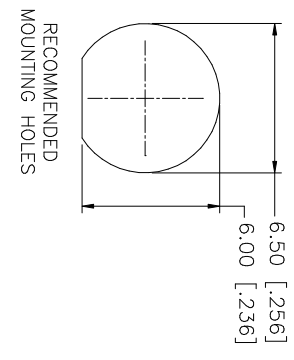
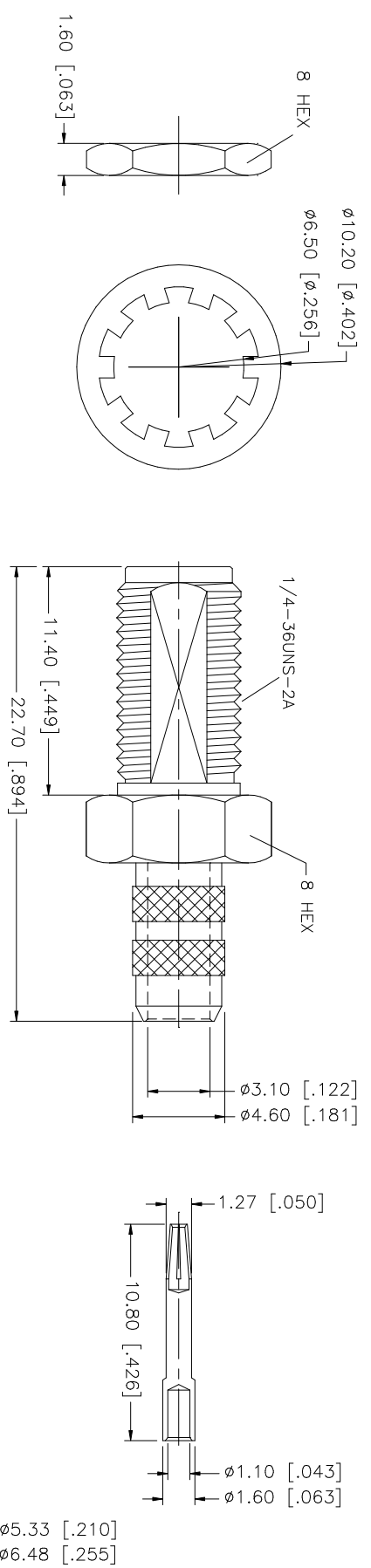
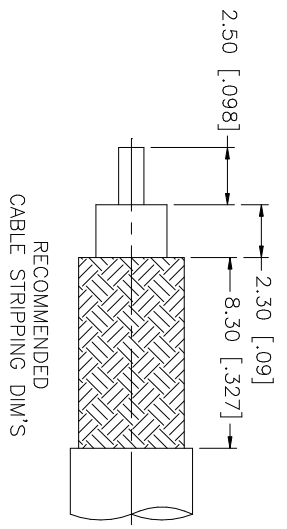


REV.	DATE	DESCRIPTION
A	01/23/04	UPDATE DRAWING FORMAT



NO.	DESCRIPTION	MATERIAL	FINISH	QTY	UNLESS OTHERWISE SPECIFIED DIMENSIONS ARE IN MILLIMETERS DIMENSIONS IN [] ARE IN INCHES AND FOR CUSTOMER REFERENCE ONLY.	APPROVALS	DATE	PART DESCRIPTION			
8								<p style="text-align: center;">Amphenol Connex</p> <p style="text-align: center;">SMA BULKHEAD CRIMP JACK (FOR RG-58C/U, 58/U CABLE)</p> <p style="text-align: center;">PART NO. 132118</p>			
7	FERRULE	COPPER	GOLD	1	UNLESS OTHERWISE SPECIFIED DIMENSIONS ARE IN MILLIMETERS DIMENSIONS IN [] ARE IN INCHES AND FOR CUSTOMER REFERENCE ONLY.	DRAWN	G.R.S.		01/23/04		
6	LOCK WASHER	BRASS	GOLD	1	UNLESS OTHERWISE SPECIFIED DIMENSIONS ARE IN MILLIMETERS DIMENSIONS IN [] ARE IN INCHES AND FOR CUSTOMER REFERENCE ONLY.	CHECKED					
5	HEX NUT	BRASS	GOLD	1	UNLESS OTHERWISE SPECIFIED DIMENSIONS ARE IN MILLIMETERS DIMENSIONS IN [] ARE IN INCHES AND FOR CUSTOMER REFERENCE ONLY.	ISSUED					
4	CONTACT PIN	BER. COPPER	GOLD	1	UNLESS OTHERWISE SPECIFIED DIMENSIONS ARE IN MILLIMETERS DIMENSIONS IN [] ARE IN INCHES AND FOR CUSTOMER REFERENCE ONLY.	SHEET	1 OF 1				
3	INSULATOR	TEFLON	NATURAL	1	UNLESS OTHERWISE SPECIFIED DIMENSIONS ARE IN MILLIMETERS DIMENSIONS IN [] ARE IN INCHES AND FOR CUSTOMER REFERENCE ONLY.						
2	BODY	BRASS	GOLD	1	UNLESS OTHERWISE SPECIFIED DIMENSIONS ARE IN MILLIMETERS DIMENSIONS IN [] ARE IN INCHES AND FOR CUSTOMER REFERENCE ONLY.						
1	DESCRIPTION	MATERIAL	FINISH	QTY	DO NOT SCALE DRAWING	CAD FILE	C:/132/132118.DWG		DWG. NO. 132118.DWG	REV. A	SIZE A