

131-8000-001	6
131-8901-401	3
131-8901-406	3
131-8901-801	3
131-8901-811	3
131-8901-821	3
134-1029-011	4
134-1069-001	4
134-1069-011	4
134-1069-021	5
134-1069-031	5
75 Ohm Type N Jack to Mini-75 Ohm SMB Jack	5
75 Ohm Type N Jack to Mini-75 Ohm SMB Plug	5
75 Ohm Type N Plug to Mini-75 Ohm SMB Jack	4
75 Ohm Type N Plug to Mini-75 Ohm SMB Plug	4
Between-Series Matching Pad50 Ohm SMB Bulkhead Jack	4
Jack to Bulkhead Jack*	3
Jack to Jack	3
Jack to Plug	3
Plug to Plug	3
Specifications	2

Mini-75 Ohm SMB Connectors

Specifications



INCHES (MILLIMETERS)
CUSTOMER DRAWINGS AVAILABLE UPON REQUEST

ELECTRICAL RATINGS

Impedance: 75 ohms

Frequency Range: 0-2 GHz

VSWR: f = GHz

RG-179, RG-59, Belden 735A cable:

	Straight cabled connectors	1.25 + .04f
	Right angle cabled connectors	1.35 + .04f
Adapters		1.20 + .04f
Type N Adapters		1.05 + .01f
Matching pad 50 ohm/75 ohm		1.05 + .1f
Loads		1.05 + .01f
Uncabled receptacles, opens, shorts		N/A

Working Voltage: (Vrms maximum)†

Connectors for Cable Type	Sea Level	70K Feet
RG-179, RG-59, Belden 735A, uncabled receptacles, adapters	335	85
Open, shorts, loads, matching pad	N/A	N/A

Dielectric Withstanding Voltage: (VRMS minimum at sea level)†

Connectors for RG-179, RG-59, Belden 735A, uncabled receptacles, adapters	1000
Open, shorts, loads, matching pad	N/A

Corona Level: (Volts minimum at 70,000 feet)†

Connectors for RG-179, RG-59, Belden 735A	250
---	-----

Uncabled receptacles, adapters, open, shorts, loads, matching pad: N/A

Electrical Length: Open ± 1.5° (± 5.2° relative to short)

Short ± 1.5° (± 5.2° relative to open)

Adapters ± 5.2° (N/A for Jack-Bulkhead Jack and N Types)

Insertion Loss: (dB maximum, tested at 1.5 GHz)

Straight cable connectors	0.30 dB
Right angle cable connectors	0.60 dB
Matching pad	6 dB nominal
Uncabled receptacles, adapters, opens, shorts, loads	N/A

Insulation Resistance: 1000 megohms minimum

Contact Resistance: (milliohms maximum)

	Initial	After Environmental
Center contact (straight cabled connectors, uncabled receptacles, opens, shorts, loads)	6.0	8.0
Center contact (right angle cabled connectors and adapters)	12.0	16.0
Outer contact (gold plated connectors)	1.0	1.5
Outer contact (nickel plated connectors)	2.5	3.5
Braid to body (gold plated connectors)	1.0	N/A
Braid to body (nickel plated connectors)	2.5	N/A

RF Leakage: (dB minimum tested at 2.5 GHz)

Cable connectors	-55 dB
Uncabled receptacles, adapters opens, shorts, loads, matching pad...N/A	

RF High Potential Withstanding Voltage: (Vrms minimum, tested at 4 and 7 MHz)†

Connectors for RG-179, RG-59, Belden 735A	700
Uncabled receptacles and adapters	600
Opens, shorts, loads, matching pad	N/A

Power Rating: (Loads and matching pad only) 1.0 watt at +25°C derated linearly to .5 watt at +125°C

MECHANICAL RATINGS

Engagement Design: MIL-C-39012, Series SMB

Engagement/Disengagement Force: 2 pounds minimum to 14 pounds maximum axial force

Contact Retention: 4 lbs. minimum axial force (captivated contacts)

1 inch-ounce minimum torque (uncabled receptacles)

Cable Retention:

	Axial Force* (pounds)	Torque (in-oz)
--	--------------------------	-------------------

Connectors for RG-179, Belden 735A	20	N/A
Connectors for RG-59	40	N/A

* or cable breaking strength whichever is less.

Durability: 500 cycles minimum

ENVIRONMENTAL RATINGS (Meets or exceed the applicable paragraph of MIL-C-39012)

Temperature Range: - 65°C to +165°C -- Connectors and adapters

- 65°C to +125°C -- Loads, matching pad

20°C to 26°C -- Opens, shorts

Thermal Shock: MIL-STD-202, Method 107, Condition B

(N/A opens, shorts, loads, matching pad)

Corrosion: MIL-STD-202, Method 101, Condition B

(N/A opens, shorts, loads, matching pad)

Shock: MIL-STD-210, Method 213, Condition B

(N/A opens, shorts, loads, matching pad)

Vibration: MIL-STD-202, Method 204, Condition B

(N/A opens, shorts, loads, matching pad)

Temperature Coefficient: (Loads only) ± 300 ppm/°C

MATERIAL SPECIFICATIONS

Bodies: Brass per QQ-B-626, gold plated** per MIL-G-45204 .00001" min. or nickel plated per QQ-N-290

N type adapters stainless steel per QQ-S-763, passivated per MIL-F-14072

Contacts: Male & Female - beryllium copper per QQ-C-530, gold plated per MIL-G-45204 .00003" min.

Insulators: PTFE fluorocarbon per ASTM D 1710 and ASTM D 1457

Expansion Caps: Brass per QQ-B-613, gold plated per MIL-G-45204 .00001" min. or nickel plated per QQ-N-290

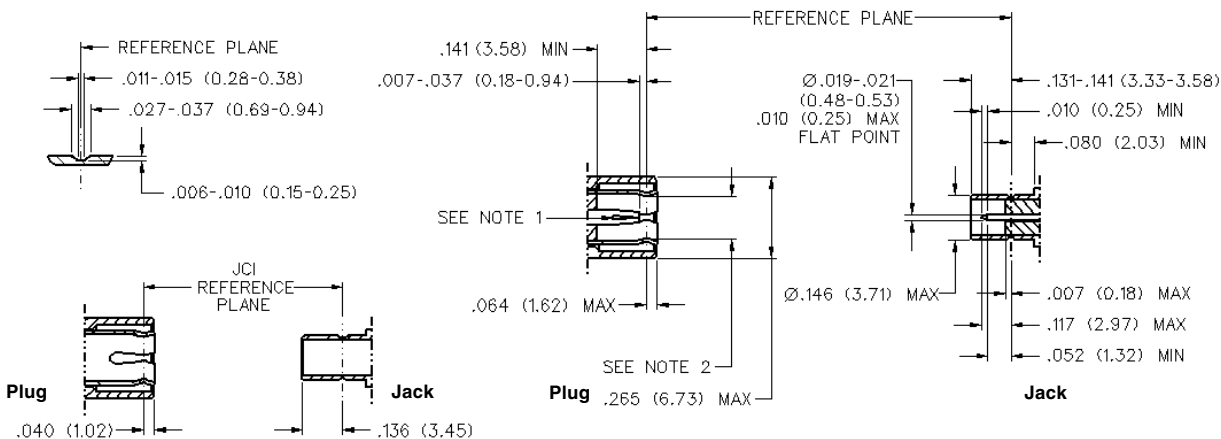
Crimp Sleeves: Copper per WW-T-799, gold plated per MIL-G-45204 .00001" min. or nickel plated per QQ-N-290

Mounting Hardware: Brass (nuts) per QQ-B-626 or phosphor bronze (lockwashers) QQ-B-750, gold plated per MIL-G-45204 .00001" min. or nickel plated per QQ-N-290

** All gold plated parts include a .00005" min. nickel underplate barrier layer.

† Avoid user injury due to misapplication. See safety advisory definitions on page 2.

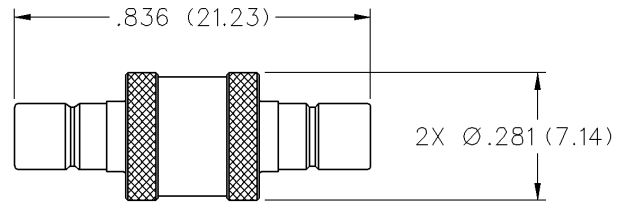
MATING ENGAGEMENT FOR MINI-75 OHM SMB SERIES (INTERMATEABLE WITH STANDARD 50 OHM SMB)



NOTES:

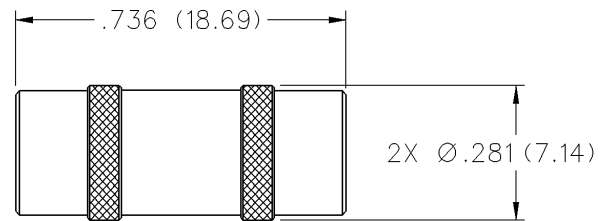
1. ID of contact to meet VSWR, mating characteristics and connector durability when mated with a dia .019-.021 (0.48/0.53) male contact.
2. Must meet the force to engage and disengage when mated with mating part.

Jack to Jack



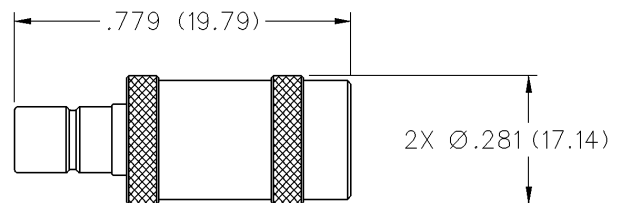
GOLD PLATED
131-8901-801

Plug to Plug



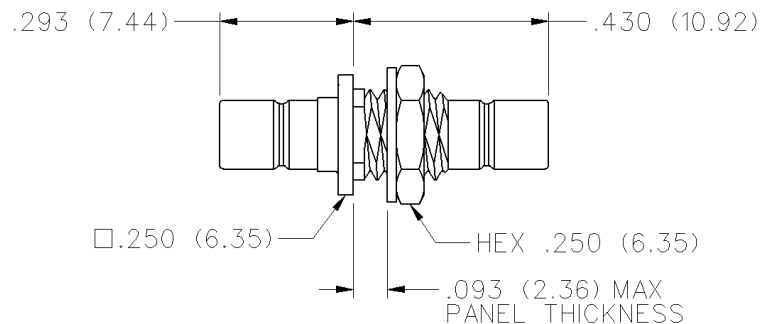
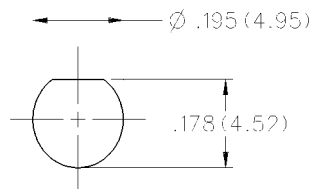
GOLD PLATED
131-8901-811

Jack to Plug



GOLD PLATED
131-8901-821

Jack to Bulkhead Jack*



GOLD PLATED	NICKEL PLATED
131-8901-401	131-8901-406

* Electrical length not matched to other adapters shown.

Mini-75 Ohm SMB Connectors

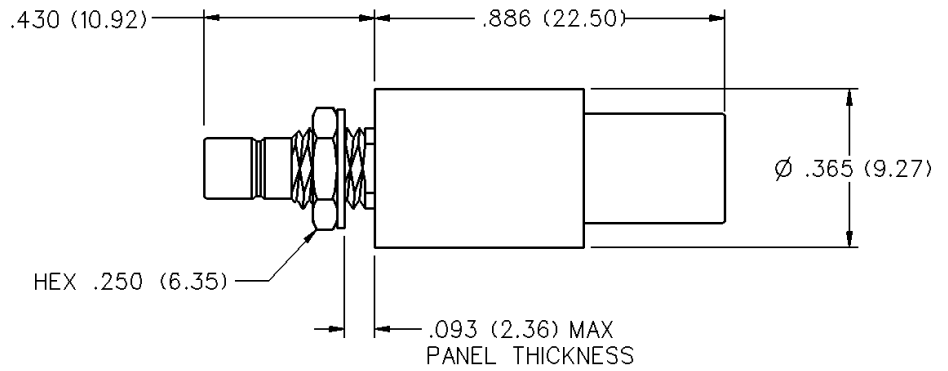
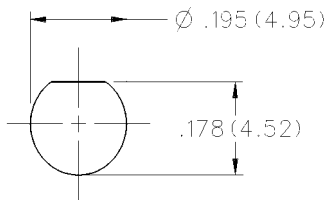
Between-Series Adapters



INCHES (MILLIMETERS)
CUSTOMER DRAWINGS AVAILABLE UPON REQUEST

Between-Series Matching Pad

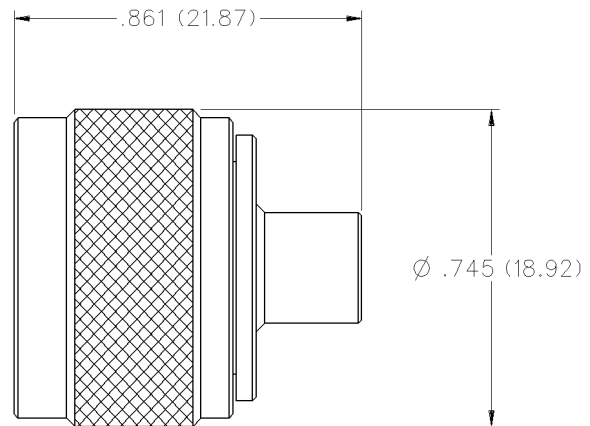
50 Ohm SMB Bulkhead Jack to Mini-75 Ohm SMB Plug



GOLD PLATED

134-1029-011

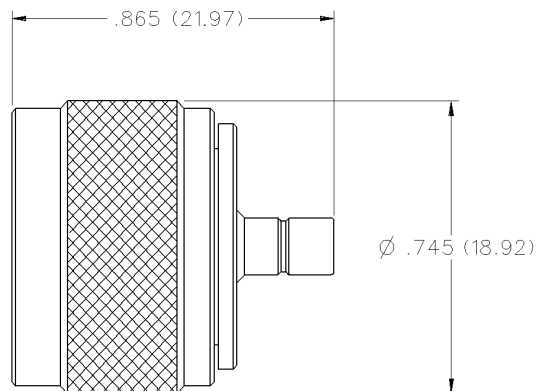
75 Ohm Type N Plug to Mini-75 Ohm SMB Plug



STAINLESS STEEL PASSIVATED

134-1069-001

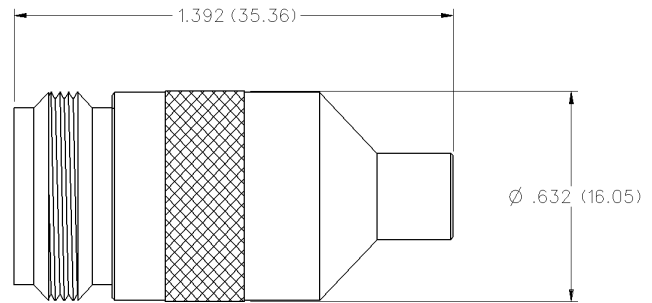
75 Ohm Type N Plug to Mini-75 Ohm SMB Jack



STAINLESS STEEL PASSIVATED

134-1069-011

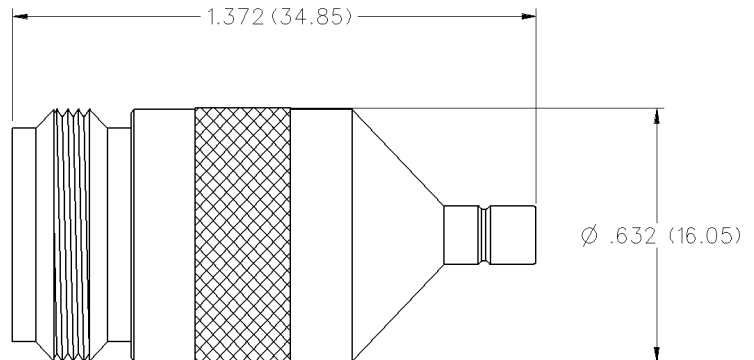
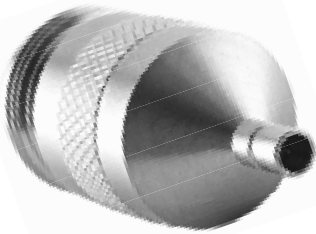
75 Ohm Type N Jack to Mini-75 Ohm SMB Plug



STAINLESS STEEL PASSIVATED

134-1069-021

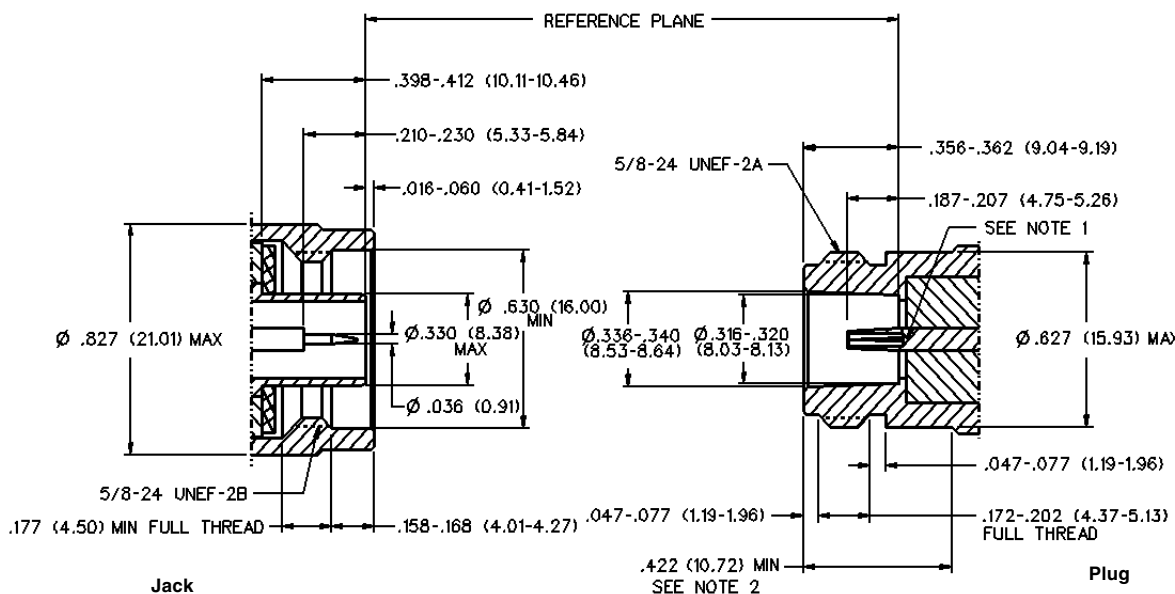
75 Ohm Type N Jack to Mini-75 Ohm SMB Jack



STAINLESS STEEL PASSIVATED

134-1069-031

MATING ENGAGEMENT FOR 75 OHM "N" SERIES BASED ON MIL-STD-348A "N" SERIES



NOTES:

1. ID of contact to meet VSWR, mating characteristics and connector durability when mated with a dia .036/.037 (0.91/0.94) male contact.
2. Clearance for mating connector coupling nut.