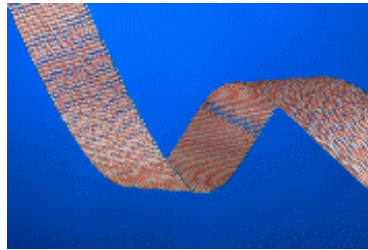




[Part Information](#) | [Outline Drawing](#) | [Introduction](#) | [Ordering Information](#) | [Download PDF File](#)

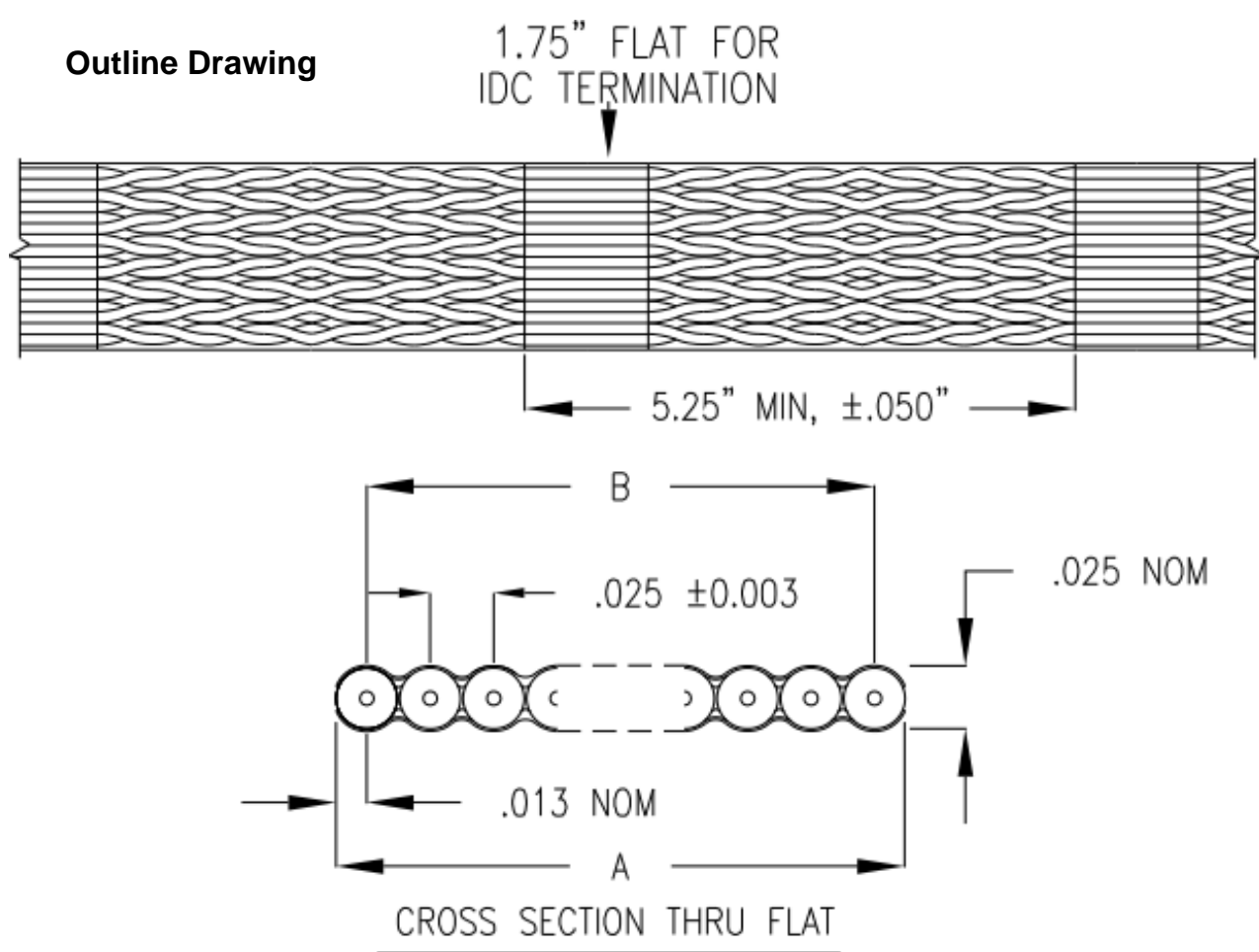
Part Information:



Part Number: 125-3011-068

Description: .025 pitch Spectra-Mode™ Twist 'N' Flat®, 30 AWG Solid Tinned Copper, TPE Insulation

Family: Internal Twisted Pair



Introduction

Spectra-Strip now has the first truly "multi-mode" internal wide SCSI cable available that fully meets ANSI T10/1142 D impedance requirements for both Ultra 2 LVD (Low Voltage Differential) and Fast 20 single ended applications with one cable. Called Spectra-Mode™, it is the latest generation of Twist 'N' Flat®, having a characteristic impedance of 93 ohms (single ended) and 131 ohms (differential). This dual mode cable allows SCSI designers to ensure that their Ultra 2 LVD busses operate correctly when a Fast 20 single ended device is attached to the bus, and the system defaults to Fast 20 mode.

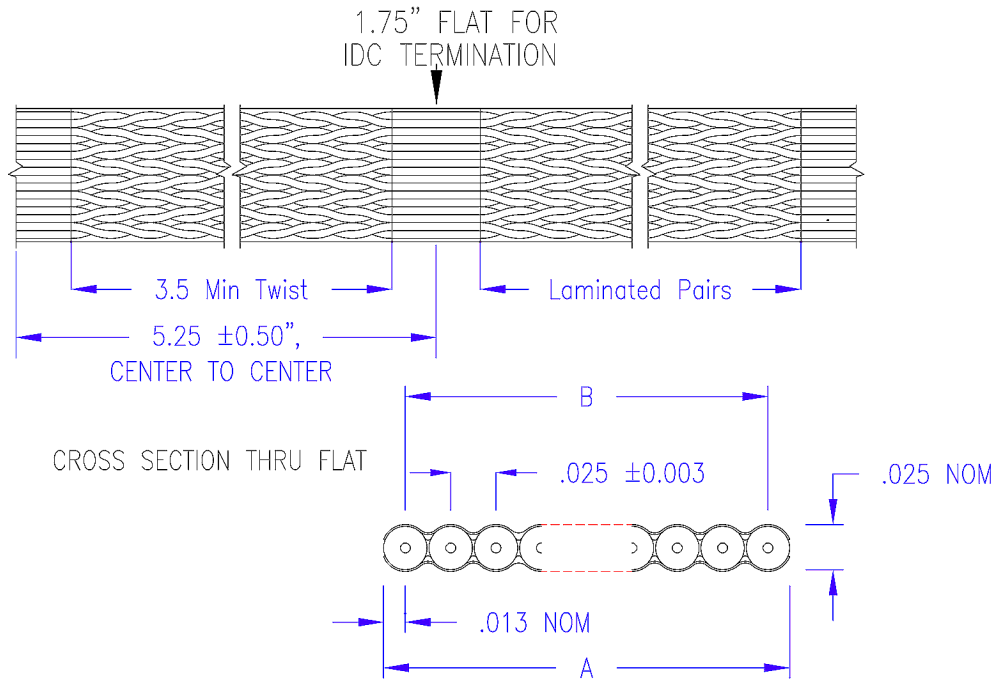
Unique in the industry, this is the only cable to offer programmable twist length sections and a fully laminated construction for improved signal fidelity and greater crosstalk control on all pairs. Compared with traditional hand lamination methods of terminating SCSI cables, Twist 'N' Flat® affords considerable end product cost savings.

Features/Benefits

- Recommended for both Ultra 2 LVD and Fast 20 SCSI higher frequency applications
- Twisted pairs for significant crosstalk isolation
- Fully laminated construction for tighter impedance control
- Up to ten twist length combinations available
- Double sided lamination provides excellent conductor strain relief
- Reduced assembly costs compared with discrete or hand lamination terminations

Ordering Information

			Width 'A'		Span 'B'	
Part Number	No. Cond.	No. Pairs	Inches	(mm)	Inches	(mm)
125-3011-068	68	34	1.707	(43,36)	1.675±.010	(42,55 ±0,25)



Part Number	Count	Pairs	A Span	B Span
125-3011-010	10	5	.251 NOM	.225 ±0.010
125-3011-014	14	7	.351 NOM	.325 ±0.010
125-3011-016	16	8	.401 NOM	.375 ±0.010
125-3011-020	20	10	.501 NOM	.475 ±0.010
125-3011-026	26	13	.651 NOM	.625 ±0.010
125-3011-034	34	17	.851 NOM	.825 ±0.010
125-3011-036	36	18	.901 NOM	.875 ±0.010
125-3011-040	40	20	1.001 NOM	.975 ±0.010
125-3011-050	50	25	1.251 NOM	1.225 ±0.010
125-3011-060	60	30	1.501 NOM	1.475 ±0.010
125-3011-064	64	32	1.601 NOM	1.575 ±0.010
125-3011-068	68	34	1.701 NOM	1.675 ±0.010
125-3011-080	80	40	2.001 NOM	1.975 ±0.010
125-3011-100	100	50	2.501 NOM	2.475 ±0.010

PHYSICAL

Conductors: 30 AWG Solid Tinned Copper
 Insulation: .007" TPO
 Color Code: 1st Pair Blue/White followed by Orange/White and Repeat
 Laminate: Polyester
 Temperature Rating: 80°C

ELECTRICAL

Impedance: 93 ohms¹
 131 ohms²
 Capacitance: 15.3 pF/ft @ 1 MHz¹
 11.4 pF/ft @ 1 MHz²
 Propagation Delay: 1.45 ns/ft
 Voltage Rating: 150 V
 Current Rating: 0.75 A
 DC Resistance: 105 ohm per 1,000 ft @ 20°C

¹ Above values measured Single-Ended, with one conductor of each pair commoned to one Bus(SCSI Mode)

² Above values measured Differentially.

Approvals: UL AWM Style 20744
 CSA AWM

Print Legend: **Amphenol SPECTRA-STRIP**

UL® AWM 80C LL31941 CSA AWM I A80C 150V FT-1
 Spectra-Green Lead Free/PBB Free

Alternative Twist Lengths Available, Consult Factory for Ordering Information.

All Dimensions in Inches, Unless Otherwise Noted

DRAWN	PROD ENG	QA	MKT	P/ECN#	DRAWING NO. 125-3011-XXX	AMPHENOL SPECTRA-STRIP	Rev E
FITTS 10/29/99	3/30/04				TITLE: .025" Twist 'N' Flat		SHEET
					Full Lamination, 30 AWG Solid		1 of 1