

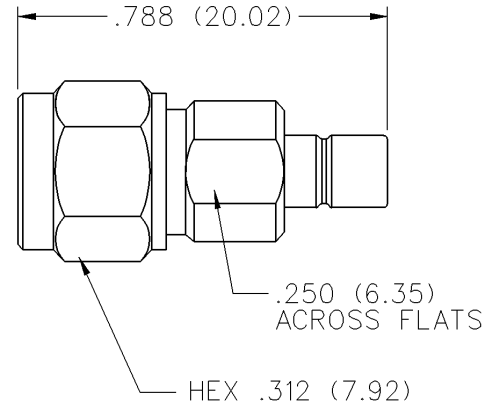
134-1012-011	2
134-1012-021	2
134-1012-031	2
134-1012-041	2
134-1018-001	3
134-1018-011	3
134-1018-021	3
134-1018-031	3
134-1019-151	4
134-1019-161	4
134-1019-171	4
134-1019-181	4
SMA Jack to MCX Jack	3
SMA Jack to MCX Plug	3
SMA Jack to MMCX Jack	4
SMA Jack to MMCX Plug	4
SMA Jack to SMB Jack	2
SMA Jack to SMB Plug	2
SMA Plug to MCX Jack	3
SMA Plug to MCX Plug	3
SMA Plug to MMCX Jack	4
SMA Plug to MMCX Plug	4
SMA Plug to SMB Jack	2
SMA Plug to SMB Plug	2

# Between Series Adapters

SMA to SMB

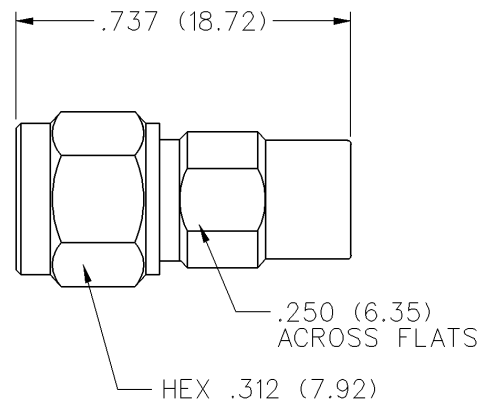
INCHES (MILLIMETERS)  
CUSTOMER DRAWINGS AVAILABLE UPON REQUEST

## SMA Plug to SMB Jack



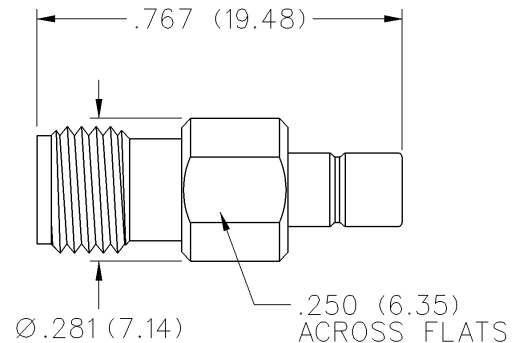
VSWR & FREQUENCY RANGE	GOLD PLATED
1.05 + .01f (GHz) 0-4 GHz	134-1012-011

## SMA Plug to SMB Plug



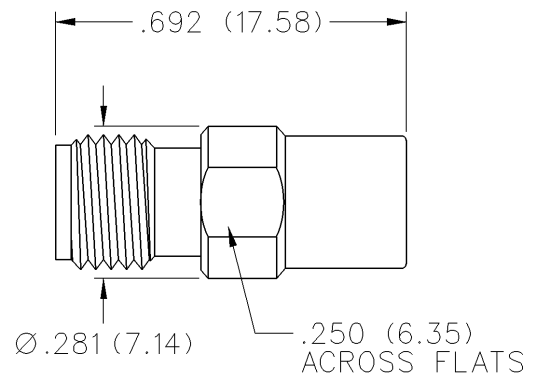
VSWR & FREQUENCY RANGE	GOLD PLATED
1.05 + .01f (GHz) 0-4 GHz	134-1012-021

## SMA Jack to SMB Jack



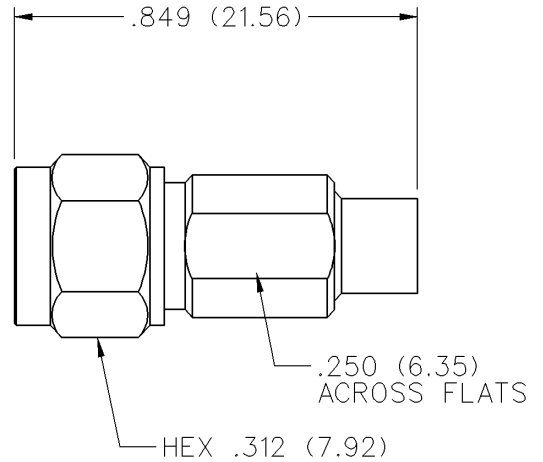
VSWR & FREQUENCY RANGE	GOLD PLATED
1.05 + .01f (GHz) 0-4 GHz	134-1012-031

## SMA Jack to SMB Plug



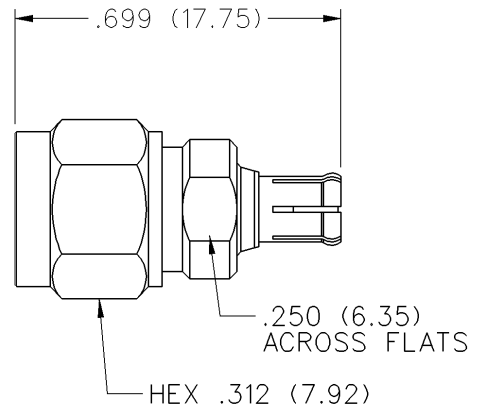
VSWR & FREQUENCY RANGE	GOLD PLATED
1.05 + .01f (GHz) 0-4 GHz	134-1012-041

### SMA Plug to MCX Jack



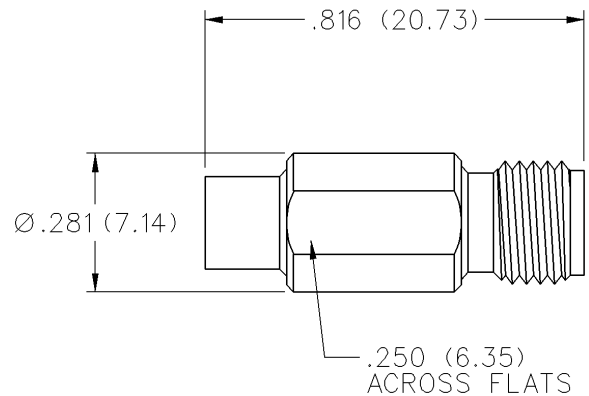
VSWR & FREQUENCY RANGE	GOLD PLATED
1.03 + .03f (GHz) 0-6 GHz	134-1018-001

### SMA Plug to MCX Plug



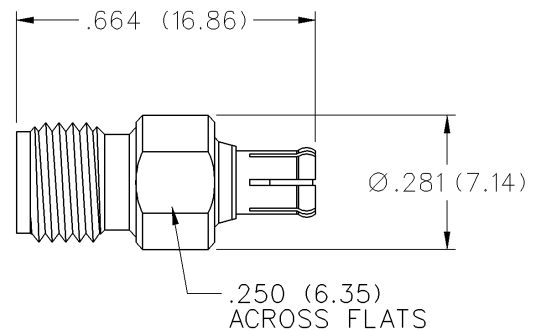
VSWR & FREQUENCY RANGE	GOLD PLATED
1.03 + .03f (GHz) 0-6 GHz	134-1018-011

### SMA Jack to MCX Jack



VSWR & FREQUENCY RANGE	GOLD PLATED
1.03 + .03f (GHz) 0-6 GHz	134-1018-021

### SMA Jack to MCX Plug



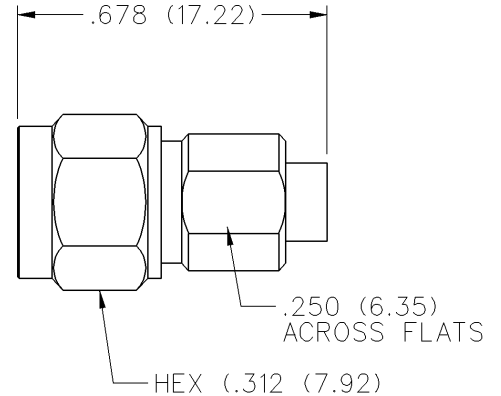
VSWR & FREQUENCY RANGE	GOLD PLATED
1.03 + .03f (GHz) 0-6 GHz	134-1018-031

# Between Series Adapters

SMA to MMCX

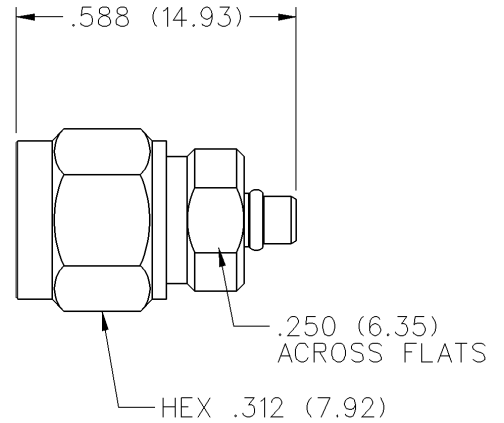
INCHES (MILLIMETERS)  
CUSTOMER DRAWINGS AVAILABLE UPON REQUEST

## SMA Plug to MMCX Jack



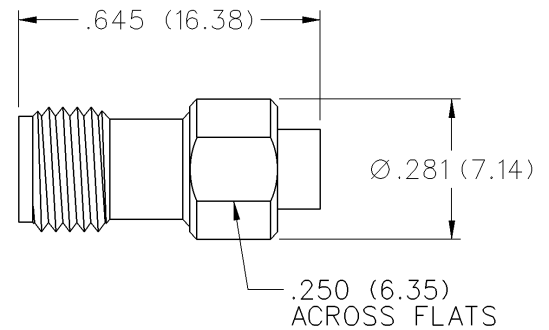
VSWR & FREQUENCY RANGE	GOLD PLATED
1.05 + .05f (GHz) 0-6 GHz	134-1019-151

## SMA Plug to MMCX Plug



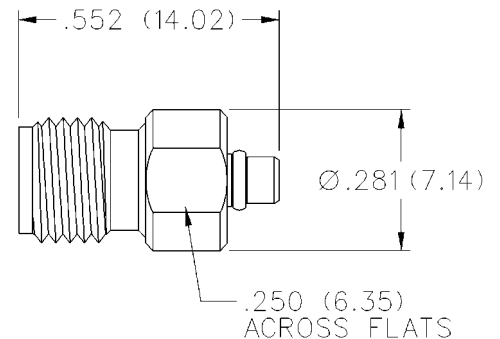
VSWR & FREQUENCY RANGE	GOLD PLATED
1.05 + .05f (GHz) 0-6 GHz	134-1019-161

## SMA Jack to MMCX Jack



VSWR & FREQUENCY RANGE	GOLD PLATED
1.05 + .05f (GHz) 0-6 GHz	134-1019-171

## SMA Jack to MMCX Plug



VSWR & FREQUENCY RANGE	GOLD PLATED
1.05 + .05f (GHz) 0-6 GHz	134-1019-181