

Our Products

- [7/16](#)
- [BNC](#)
- [D-Sub](#)
- [FME](#)
- [MCX](#)
- [MMCX](#)
- [SMA](#)
- [SMB](#)
- [SMC](#)
- [TNC](#)
- [Twin BNC](#)
- [Type F](#)
- [Type N](#)
- [UHF](#)

- [Between-Series Adapters](#)
- [Shielded Terminations](#)
- [Strain-Relief Boots](#)
- [Tools](#)

[View All Products](#)

Search Results for: Straight Crimp Jack - Semi-Rigid Cable

Please note: Images are for reference only



Part Number: 122423

Family/Series: TNC Coaxial Connectors

Product Type: JACK CRIMP
ATTACHMENTS FOR FLEXIBLE AND
SEMI-RIGID CABLE

Description: Straight Crimp Jack - Semi-
Rigid Cable

Cable: .141 SEMI-RIGID/402/U **

Cable Group: 10

Finish: Nickel/Gold

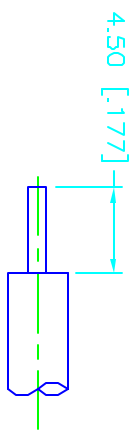
Insulation: Teflon

Impedance: 50 ohms

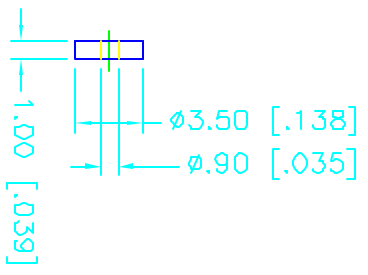
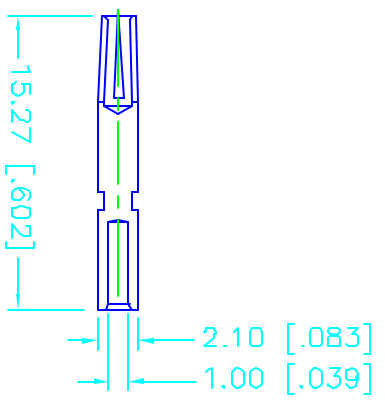
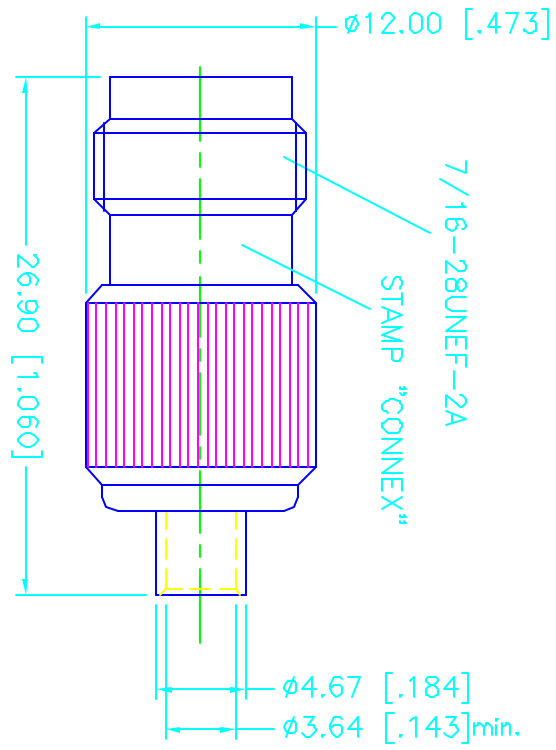
Crimp Tool: [N/A](#)

[Add to Cart](#) | [Product Specs](#) | [Customer Drawing](#)

REV.	DATE	DESCRIPTION
A	02/06/00	ADD BARREL PLATING



RECOMMENDED
CABLE STRIPPING DIM'S



DESCRIPTION	MATERIAL	FINISH	UNLESS OTHERWISE SPECIFIED DIMENSIONS ARE IN MILLIMETERS	APPROVALS	DATE	TITLE
1 BODY	BRASS	NICKEL	DIMENSIONS IN [] ARE IN INCHES FOR CUSTOMER REFERENCE ONLY	DRAWN G.R.S.	02/06/00	<p>Connector Corporation TNC DIRECT SOLDER JACK (FOR .141" SEMI RIGID CABLE)</p>
2 INSULATOR	TEFLON	NATURAL	UNLESS OTHERWISE SPECIFIED TOLERANCES FOR MILLIMETERS ARE: 0.5-6 = ± 0.2 6-30 = ± 0.4 30-120 = ± 0.6 120-315 = ± 1 315-1000 = ± 1.6 1000-2000 = ± 2.4	CHECKED		
3 CONTACT PIN	PHOS. BRONZE	GOLD		ISSUED		
4 BARREL	BRASS	GOLD				
5						
6						
7						
8			DO NOT SCALE DRAWING			

SCALE	NA	PART NO.	122423	SHEET	1 OF 1
SIZE	FSOM NO.	99001	DWG. NO.	122423.DWG	REV. A

Our Products

[7/16](#)
[BNC](#)
[D-Sub](#)
[FME](#)
[MCX](#)
[MMCX](#)
[SMA](#)
[SMB](#)
[SMC](#)
[TNC](#)
[Twin BNC](#)
[Type F](#)
[Type N](#)
[UHF](#)

[Between-Series Adapters](#)
[Shielded Terminations](#)
[Strain-Relief Boots](#)
[Tools](#)

[View All Products](#)

TNC connector series

[Features & Benefits](#) | [Applications](#) | [Standard Specs](#) | [Reverse Polarity Specs](#) | [Assembly Instructions](#)

Developed in the late 1950's, the TNC stands for Threaded Neill Concelman and is named after Amphenol engineer Carl Concelman. Designed as a threaded version of the BNC, the TNC series features screw threads for mating. TNC are miniature, threaded weatherproof units with a constant 75 Ω impedance and they operate from 0 - 11 GHz.

There are two types of TNC connectors: Standard and Reverse Polarity. Reverse polarity is a keying system accomplished with a reverse interface, and ensures that reverse polarity interface connectors do not mate with standard interface connectors. Amphenol accomplishes this by inserting female contacts into plugs and male contacts into jacks. Other manufacturers may use reverse threading to accomplish reverse polarity keying.



TNC Coaxial Connectors

PLUG CRIMP ATTACHMENTS FOR FLEXIBLE AND SEMI-RIGID CABLE

[Straight Crimp Plug - Miniature Cable](#)
[Straight Crimp Plug - Single Crimp](#)
[Straight Crimp Plug - Standard Cable](#)
[Straight Crimp Plug - Plenum Cable](#)
[Straight Solder Plug - Semi-Rigid Cable](#)
[Straight Crimp Plug - Miniature Cable](#)
[Straight Crimp Plug - Pin-In-Pin - Miniature Cable](#)

RIGHT ANGLE PLUG CRIMP ATTACHMENTS FOR FLEXIBLE AND SEMI-RIGID CABLE

[Right Angle Crimp/Solder Plug - Standard Cable](#)
[Right Angle Crimp/Solder Plug - Standard Cable](#)
[Right Angle Crimp/Solder Plug - Miniature Cable](#)
[Right Angle Crimp/Crimp Plug - Standard Cable](#)
[Right Angle Solder Plug - Semi-Rigid Cable](#)
[Right Angle Crimp/Crimp Plug - Plenum Cable](#)
[Right Angle Crimp/Crimp Plug - Miniature Cable](#)
[Right Angle Crimp/Solder Plug - Plenum Cable](#)

JACK CRIMP ATTACHMENTS FOR FLEXIBLE AND SEMI-RIGID CABLE

[Straight Crimp Jack - Standard Cable](#)
[Straight Crimp Jack - Plenum Cable](#)
[Straight Crimp Jack - Miniature Cable](#)
[Straight Crimp Jack - Semi-Rigid Cable](#)

BULKHEAD JACK CRIMP ATTACHMENTS FOR FLEXIBLE AND SEMI-RIGID CABLE

[Bulkhead Crimp Jack - Standard Cable](#)
[Bulkhead Crimp Jack - Plenum Cable](#)
[Bulkhead Crimp Jack - Plenum Cable](#)
[Bulkhead Crimp Jack - Miniature Cable](#)
[Bulkhead Solder Jack - Semi-Rigid Cable- Front Mount](#)
[Bulkhead Solder Jack - Semi-Rigid Cable- Rear Mount](#)
[Bulkhead Isolated Crimp Jack - Standard Cable](#)
[Bulkhead Isolated Crimp Jack - Plenum Cable](#)
[Bulkhead Isolated Crimp Jack - Miniature Cable](#)
[Bulkhead Crimp Jack - Standard Cable](#)

PANEL JACK CRIMP ATTACHMENTS FOR FLEXIBLE AND SEMI-RIGID CABLE/RECEPTACLE

[Panel Crimp Jack - Standard Cable](#)
[Panel Crimp Jack - Plenum Cable](#)

[Panel Crimp Jack - Miniature Cable](#)

[Panel Solder Jack - Semi-Rigid Cable](#)

TWIST-ON ATTACHMENTS FOR FLEXIBLE CABLE

[Twist-On Plug](#)

[Right Angle Twist -On Plug](#)

[Twist-On Jack](#)

CLAMP ATTACHMENTS FOR FLEXIBLE CABLE

[Straight Clamp Plug - Captive Contact](#)

[Straight Clamp Plug](#)

[Right Angle Clamp Plug](#)

[Straight Clamp Jack - Captive Contact](#)

WEDGE COMPRESSION ATTACHMENTS FOR FLEXIBLE CABLE

[Wedge Compression Plug](#)

[Wedge Compression Jack](#)

PANEL RECEPTACLES

[Panel Receptacle - Extended Teflon Post - Gasket Seal](#)

[Panel Receptacle Jack](#)

[Panel Receptacle - Extended Teflon Post 0.500 Flange](#)

[Panel Receptacle - Extended Teflon Post](#)

PRINTED CIRCUIT BOARD/STRAIGHT R/A TERMINALS

[Commercial Straight PCB Mount Jack](#)

[Commercial Right Angle PCB Mount Jack](#)

[Straight PCB Mount Receptacle Jack](#)

[Right Angle Bulkhead Receptacle](#)

BULKHEAD RECEPTACLE/SOLDER POT TERMINALS

[Bulkhead Receptacle Plug](#)

[Bulkhead Receptacle Jack](#)

[Bulkhead Receptacle Isolated Jack](#)

BULKHEAD FEEDTHROUGH ADAPTERS

[Bulkhead Crimp Jack - Plenum Cable](#)

[Jack-To-Jack Bulkhead Adapter](#)

[Jack-To-Jack Bulkhead Adapter](#)

[Jack-To-Jack Bulkhead - Isolated Adapter](#)

[Jack-To-Plug Bulkhead Adapter - Push On](#)

[Bulkhead Right Angle TNC Female To MCX Female Adapter](#)

ADAPTERS

[Jack-To-Jack Adapter](#)

[Plug-To-Plug Adapter](#)

[Right Angle Adapter - Plug-To-Jack](#)

TEE ADAPTERS

[Tee Adapter - Jack-To-Jack-To-Jack](#)

[Tee Adapter - Jack-To-Plug-To-Jack](#)

TERMINATORS

[TNC Terminator Plug](#)

ACCESSORIES

[TNC Male Cap & Chain](#)

Features & Benefits

- Threaded coupling interface ensures connector will not de-couple in vibration-intensive applications
- Many TNCs are recognized under the component program of Underwriter's Laboratories and have undergone stringent testing from an independent laboratory

- Performance from 0 - 11 GHz operations in many applications

Applications

- Antennas
- Cellular
- Mil-Aero
- Telecom
- Base Stations
- Components
- Networks
- Cable Assembly
- Instrumentation
- Radar

Standard TNC Specifications

Electrical	
Impedance	50 Ω
Frequency Range	0 - 11 GHz
Voltage Rating	500 volts peak
Dielectric Withstanding Voltage	1,500 volts rms
VSWR	M39012 straight connectors: 1.3 max @ 0 - 11 GHz M39012 right angle connectors: 1.35 max @ 0 - 11 GHz
Contact Resistance	Center: contact 1.5 mΩ Outer contact: 0.2 mΩ
Braid to Body	0.1 mΩ
RF Leakage	-60 dB minimum @ 3 GHz
Insertion Loss	0.18 dB @ 9 GHz
Insulation Resistance	= 5,000 MΩ
Mechanical	
Mating	7/16 threaded coupling
Braid/Jacket Cable Affixment	Crimps: hex braid crimp Clamps: screw-thread nut and braid clamp
Center Conductor Cable Affixment	Crimps: crimp or solder All others: solder only
Captivated Contact	All crimps unless specified otherwise
Cable Retention	Crimps: 20 - 100 lbs Clamps: 20 - 50 lbs
Material	
Male Center Contacts	Brass, silver or gold plated
Female Center Contact	Beryllium copper or phosphorous bronze, silver or gold plated
Other Metal Parts	Brass with nickel finish (except for M39012 which are silver)
Insulators	TFE, Delrin
Clamp Gaskets	Synthetic rubber, silicone rubber
Crimp Ferrule	Copper
Environmental	
Temperature Range	-65°C to +165°C
Weatherproof	Clamps with clamp gaskets, Crimps with heat-shrink tubing
Hermetic Seals	Pass helium leak test of 2x10 ⁻⁸ cc/sec
Shock	MIL-STD-202, method 202
Vibration	MIL-STD-202, method 204, test condition D
Moisture Resistance	MIL-STD-202, method 106
Corrosion	MIL-STD-202, method 101, test condition B
Temperature Cycling	MIL-STD-202, method 102, test condition D
Altitude	MIL-STD-202, method 105, test condition C

Note: These characteristics are typical but may not apply to all connectors.

Reverse Polarity TNC Specifications

Electrical	
Impedance	50Ω
Frequency Range	0 - 4 GHz
Voltage Rating	500 volts peak
Dielectric Withstanding Voltage	1,500 volts rms
VSWR	M39012 straight connectors: 1.3 max @ 0 - 4 GHz M39012 right angle connectors: 1.35 max @ 0 - 4 GHz