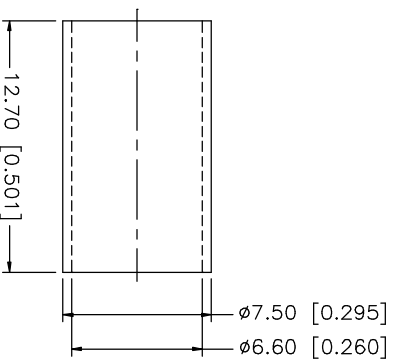
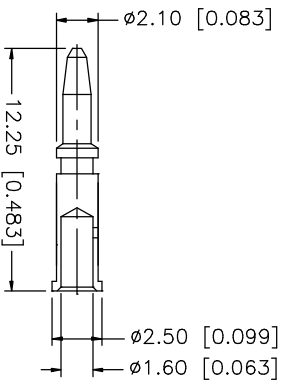
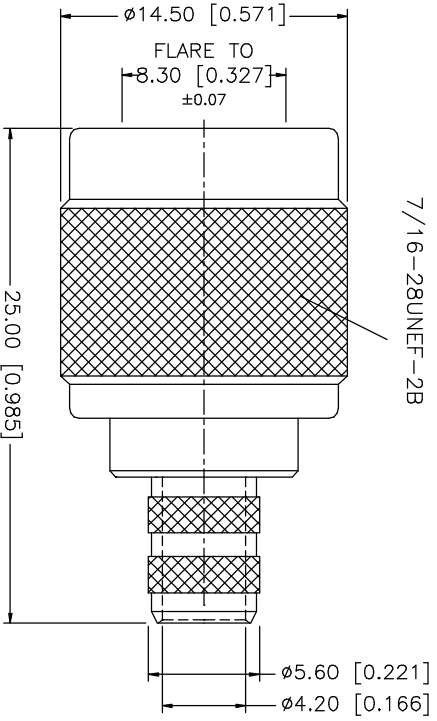
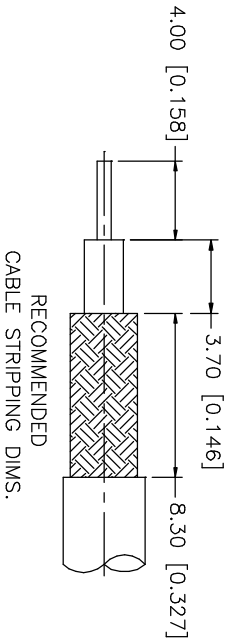


REV.	DATE	DESCRIPTION
A	06/05/03	UPDATE DRAWING FORMAT



NOTE:

1. CRIMPED FERRULE
HEX CRIMP SIZE .255"
2. CRIMPED CONTACT PIN
HEX CRIMP SIZE .068"

Amphenol Connex

PART DESCRIPTION
TNC STRAIGHT CRIMP PLUG
(FOR LMR 240MA, BELDEN RG8X CABLE)

PART NO. 122408

DWG. NO. 122408.DWG

REV. A

SIZE A

SCALE NA

CAD FILE
C:/122/122408.DWG

UNLESS OTHERWISE SPECIFIED DIMENSIONS ARE IN MILLIMETERS, DIMENSIONS IN [] ARE IN INCHES AND FOR CUSTOMER REFERENCE ONLY.
UNLESS OTHERWISE SPECIFIED TOLERANCES FOR MILLIMETERS ARE:
0.5 - 8mm ± 0.20mm
8 - 30mm ± 0.40mm
30 - 120mm ± 0.50mm
UNLESS OTHERWISE SPECIFIED TOLERANCES FOR INCHES ARE:
.020 - .315 = ± 0.007"
.315 - 1.180 = ± 0.015"
1.180 - 4.724 = ± 0.020"

DO NOT SCALE DRAWING

DESCRIPTION	MATERIAL	FINISH	QTY
1 BODY	BRASS	NICKEL	1
2 INSULATOR	TEFLON	NATURAL	1
3 CONTACT PIN	BRASS	GOLD	1
4 FERRULE	COPPER	NICKEL	1
7			
8			