

## Our Products

- [7/16](#)
- [BNC](#)
- [D-Sub](#)
- [FME](#)
- [MCX](#)
- [MMCX](#)
- [SMA](#)
- [SMB](#)
- [SMC](#)
- [TNC](#)
- [Twin BNC](#)
- [Type F](#)
- [Type N](#)
- [UHF](#)

- [Between-Series Adapters](#)
- [Shielded Terminations](#)
- [Strain-Relief Boots](#)
- [Tools](#)

[View All Products](#)

**Search Results for:** Straight Crimp Jack - Standard Cable

*Please note: Images are for reference only*

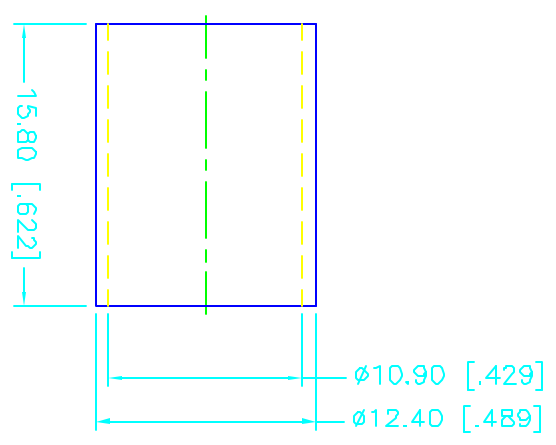
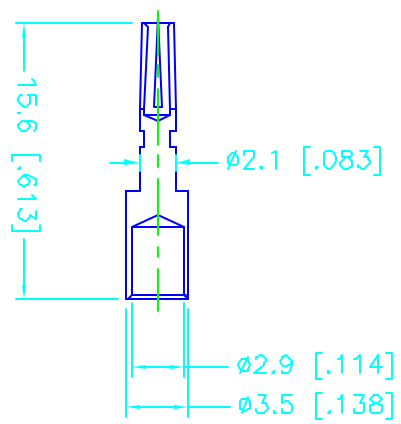
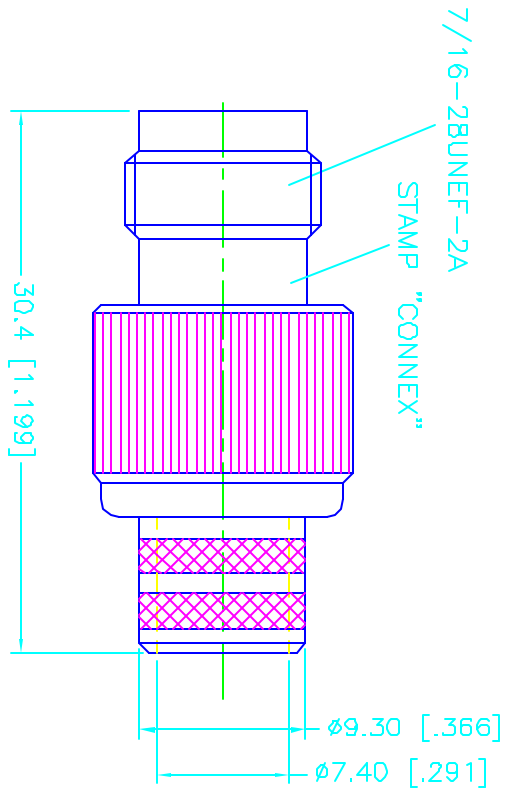
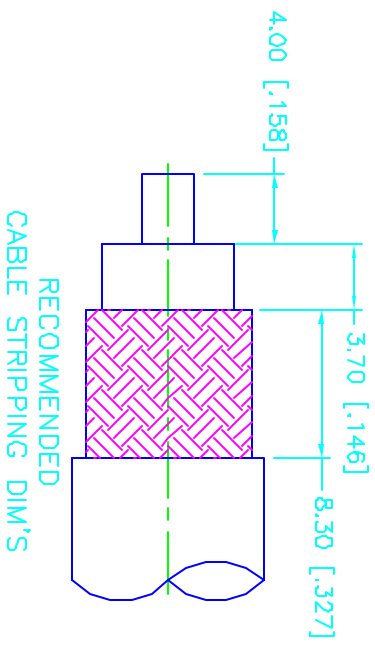


**Part Number:** 122392  
**Family/Series:** TNC Coaxial Connectors  
**Product Type:** JACK CRIMP ATTACHMENTS FOR FLEXIBLE AND SEMI-RIGID CABLE  
**Description:** Straight Crimp Jack - Standard Cable  
**Cable:** B9913/LMR400/B7810A/B8214 \*\*

**Cable Group:** 07C  
**Finish:** Nickel  
**Insulation:** Teflon  
**Impedance:** 50 ohms  
**Crimp Tool:** [L](#)

[Add to Cart](#) | [Product Specs](#) | [Customer Drawing](#)

REV.	DATE	DESCRIPTION
NC	04/16/98	INITIAL RELEASE



DESCRIPTION	MATERIAL	FINISH	UNLESS OTHERWISE SPECIFIED DIMENSIONS ARE IN MILLIMETERS FOR CUSTOMER REFERENCE ONLY	APPROVALS	DATE	TITLE	SCALE	PART NO.	SHEET	REV.
1 BODY	BRASS	NICKEL	UNLESS OTHERWISE SPECIFIED DIMENSIONS ARE IN MILLIMETERS FOR CUSTOMER REFERENCE ONLY TOLERANCES FOR MILLIMETERS ARE: 0.5-6 ± 0.2 6-30 ± 0.4 30-120 ± 0.6 120-375 ± 1 375-1000 ± 1.6 1000-2000 ± 2.4	DRAWN	G.R.S.	04/16/98	TNC CRIMP JACK (FOR BELDEN 8214, 9913) LMR 400 CABLE	NA	122392	1 OF 1
2 INSULATOR	TEFLON	NATURAL		CHECKED						
3 CONTACT PIN	PHOS. BRONZE	GOLD		ISSUED						
4 FERRULE	JIS	NICKEL								
5										
6										
7										
8				DO NOT SCALE DRAWING						



## Our Products

- [7/16](#)
- [BNC](#)
- [D-Sub](#)
- [FME](#)
- [MCX](#)
- [MMCX](#)
- [SMA](#)
- [SMB](#)
- [SMC](#)
- [TNC](#)
- [Twin BNC](#)
- [Type F](#)
- [Type N](#)
- [UHF](#)

- [Between-Series Adapters](#)
- [Shielded Terminations](#)
- [Strain-Relief Boots](#)
- [Tools](#)

[View All Products](#)

## TNC connector series

[Features & Benefits](#) | 
 [Applications](#) | 
 [Standard Specs](#) | 
 [Reverse Polarity Specs](#) | 
 [Assembly Instructions](#)

Developed in the late 1950's, the TNC stands for Threaded Neill Concelman and is named after Amphenol engineer Carl Concelman. Designed as a threaded version of the BNC, the TNC series features screw threads for mating. TNC are miniature, threaded weatherproof units with a constant 75 Ω impedance and they operate from 0 - 11 GHz.



There are two types of TNC connectors: Standard and Reverse Polarity. Reverse polarity is a keying system accomplished with a reverse interface, and ensures that reverse polarity interface connectors do not mate with standard interface connectors. Amphenol accomplishes this by inserting female contacts into plugs and male contacts into jacks. Other manufacturers may use reverse threading to accomplish reverse polarity keying.

### TNC Coaxial Connectors

#### PLUG CRIMP ATTACHMENTS FOR FLEXIBLE AND SEMI-RIGID CABLE

- [Straight Crimp Plug - Miniature Cable](#)
- [Straight Crimp Plug - Single Crimp](#)
- [Straight Crimp Plug - Standard Cable](#)
- [Straight Crimp Plug - Plenum Cable](#)
- [Straight Solder Plug - Semi-Rigid Cable](#)
- [Straight Crimp Plug - Miniature Cable](#)
- [Straight Crimp Plug - Pin-In-Pin - Miniature Cable](#)

#### RIGHT ANGLE PLUG CRIMP ATTACHMENTS FOR FLEXIBLE AND SEMI-RIGID CABLE

- [Right Angle Crimp/Solder Plug - Standard Cable](#)
- [Right Angle Crimp/Solder Plug - Standard Cable](#)
- [Right Angle Crimp/Solder Plug - Miniature Cable](#)
- [Right Angle Crimp/Crimp Plug - Standard Cable](#)
- [Right Angle Solder Plug - Semi-Rigid Cable](#)
- [Right Angle Crimp/Crimp Plug - Plenum Cable](#)
- [Right Angle Crimp/Crimp Plug - Miniature Cable](#)
- [Right Angle Crimp/Solder Plug - Plenum Cable](#)

#### JACK CRIMP ATTACHMENTS FOR FLEXIBLE AND SEMI-RIGID CABLE

- [Straight Crimp Jack - Standard Cable](#)
- [Straight Crimp Jack - Plenum Cable](#)
- [Straight Crimp Jack - Miniature Cable](#)
- [Straight Crimp Jack - Semi-Rigid Cable](#)

#### BULKHEAD JACK CRIMP ATTACHMENTS FOR FLEXIBLE AND SEMI-RIGID CABLE

- [Bulkhead Crimp Jack - Standard Cable](#)
- [Bulkhead Crimp Jack - Plenum Cable](#)
- [Bulkhead Crimp Jack - Plenum Cable](#)
- [Bulkhead Crimp Jack - Miniature Cable](#)
- [Bulkhead Solder Jack - Semi-Rigid Cable- Front Mount](#)
- [Bulkhead Solder Jack - Semi-Rigid Cable- Rear Mount](#)
- [Bulkhead Isolated Crimp Jack - Standard Cable](#)
- [Bulkhead Isolated Crimp Jack - Plenum Cable](#)
- [Bulkhead Isolated Crimp Jack - Miniature Cable](#)
- [Bulkhead Crimp Jack - Standard Cable](#)

#### PANEL JACK CRIMP ATTACHMENTS FOR FLEXIBLE AND SEMI-RIGID CABLE/RECEPTACLE

- [Panel Crimp Jack - Standard Cable](#)
- [Panel Crimp Jack - Plenum Cable](#)

[Panel Crimp Jack - Miniature Cable](#)

[Panel Solder Jack - Semi-Rigid Cable](#)

---

## **TWIST-ON ATTACHMENTS FOR FLEXIBLE CABLE**

[Twist-On Plug](#)

[Right Angle Twist -On Plug](#)

[Twist-On Jack](#)

---

## **CLAMP ATTACHMENTS FOR FLEXIBLE CABLE**

[Straight Clamp Plug - Captive Contact](#)

[Straight Clamp Plug](#)

[Right Angle Clamp Plug](#)

[Straight Clamp Jack - Captive Contact](#)

---

## **WEDGE COMPRESSION ATTACHMENTS FOR FLEXIBLE CABLE**

[Wedge Compression Plug](#)

[Wedge Compression Jack](#)

---

## **PANEL RECEPTACLES**

[Panel Receptacle - Extended Teflon Post - Gasket Seal](#)

[Panel Receptacle Jack](#)

[Panel Receptacle - Extended Teflon Post 0.500 Flange](#)

[Panel Receptacle - Extended Teflon Post](#)

---

## **PRINTED CIRCUIT BOARD/STRAIGHT R/A TERMINALS**

[Commercial Straight PCB Mount Jack](#)

[Commercial Right Angle PCB Mount Jack](#)

[Straight PCB Mount Receptacle Jack](#)

[Right Angle Bulkhead Receptacle](#)

---

## **BULKHEAD RECEPTACLE/SOLDER POT TERMINALS**

[Bulkhead Receptacle Plug](#)

[Bulkhead Receptacle Jack](#)

[Bulkhead Receptacle Isolated Jack](#)

---

## **BULKHEAD FEEDTHROUGH ADAPTERS**

[Bulkhead Crimp Jack - Plenum Cable](#)

[Jack-To-Jack Bulkhead Adapter](#)

[Jack-To-Jack Bulkhead Adapter](#)

[Jack-To-Jack Bulkhead - Isolated Adapter](#)

[Jack-To-Plug Bulkhead Adapter - Push On](#)

[Bulkhead Right Angle TNC Female To MCX Female Adapter](#)

---

## **ADAPTERS**

[Jack-To-Jack Adapter](#)

[Plug-To-Plug Adapter](#)

[Right Angle Adapter - Plug-To-Jack](#)

---

## **TEE ADAPTERS**

[Tee Adapter - Jack-To-Jack-To-Jack](#)

[Tee Adapter - Jack-To-Plug-To-Jack](#)

---

## **TERMINATORS**

[TNC Terminator Plug](#)

---

## **ACCESSORIES**

[TNC Male Cap & Chain](#)

## **Features & Benefits**

- Threaded coupling interface ensures connector will not de-couple in vibration-intensive applications
- Many TNCs are recognized under the component program of Underwriter's Laboratories and have undergone stringent testing from an independent laboratory

- Performance from 0 - 11 GHz operations in many applications

### Applications

- Antennas
- Cellular
- Mil-Aero
- Telecom
- Base Stations
- Components
- Networks
- Cable Assembly
- Instrumentation
- Radar

### Standard TNC Specifications

<b>Electrical</b>	
Impedance	50 $\Omega$
Frequency Range	0 - 11 GHz
Voltage Rating	500 volts peak
Dielectric Withstanding Voltage	1,500 volts rms
VSWR	M39012 straight connectors: 1.3 max @ 0 - 11 GHz M39012 right angle connectors: 1.35 max @ 0 - 11 GHz
Contact Resistance	Center: contact 1.5 m $\Omega$ Outer contact: 0.2 m $\Omega$
Braid to Body	0.1 m $\Omega$
RF Leakage	-60 dB minimum @ 3 GHz
Insertion Loss	0.18 dB @ 9 GHz
Insulation Resistance	= 5,000 M $\Omega$
<b>Mechanical</b>	
Mating	7/16 threaded coupling
Braid/Jacket Cable Affixment	Crimps: hex braid crimp Clamps: screw-thread nut and braid clamp
Center Conductor Cable Affixment	Crimps: crimp or solder All others: solder only
Captivated Contact	All crimps unless specified otherwise
Cable Retention	Crimps: 20 - 100 lbs Clamps: 20 - 50 lbs
<b>Material</b>	
Male Center Contacts	Brass, silver or gold plated
Female Center Contact	Beryllium copper or phosphorous bronze, silver or gold plated
Other Metal Parts	Brass with nickel finish (except for M39012 which are silver)
Insulators	TFE, Delrin
Clamp Gaskets	Synthetic rubber, silicone rubber
Crimp Ferrule	Copper
<b>Environmental</b>	
Temperature Range	-65°C to +165°C
Weatherproof	Clamps with clamp gaskets, Crimps with heat-shrink tubing
Hermetic Seals	Pass helium leak test of 2x10 <sup>-8</sup> cc/sec
Shock	MIL-STD-202, method 202
Vibration	MIL-STD-202, method 204, test condition D
Moisture Resistance	MIL-STD-202, method 106
Corrosion	MIL-STD-202, method 101, test condition B
Temperature Cycling	MIL-STD-202, method 102, test condition D
Altitude	MIL-STD-202, method 105, test condition C

Note: These characteristics are typical but may not apply to all connectors.

### Reverse Polarity TNC Specifications

<b>Electrical</b>	
Impedance	50 $\Omega$
Frequency Range	0 - 4 GHz
Voltage Rating	500 volts peak
Dielectric Withstanding Voltage	1,500 volts rms
VSWR	M39012 straight connectors: 1.3 max @ 0 - 4 GHz M39012 right angle connectors: 1.35 max @ 0 - 4 GHz