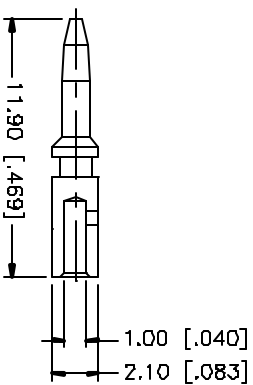
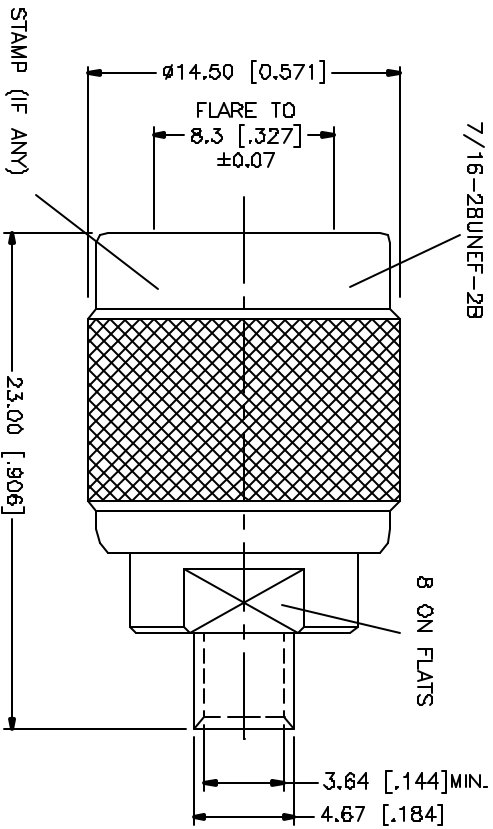
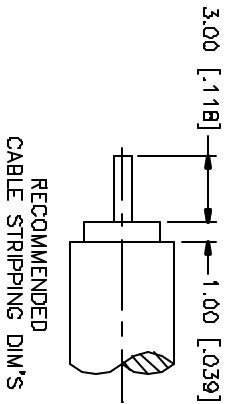


REV.	DATE	DESCRIPTION
A	11/08/04	ADD COUPLING NUT / CHANGE PLATING TO NICKEL



NOTE:  
1. CRIMPED CONTACT PIN  
HEX CRIMP SIZE .068"

QTY	FINISH	MATERIAL	DESCRIPTION
1	NICKEL	BRASS	COUPLING NUT
1	GOLD	BRASS	CONTACT PIN
1	NICKEL	BRASS	INSULATOR
1	NICKEL	BRASS	BODY

UNLESS OTHERWISE SPECIFIED DIMENSIONS ARE IN MILLIMETERS DIMENSIONS IN INCHES ARE NOTED AND FOR CUSTOMER REFERENCE ONLY.	APPROVALS	DATE	<b>Amphenol Connex</b> TNC DIRECT SOLDER PLUG (FOR .141" SEMI RIGID CABLE) PART NO. 122386
UNLESS OTHERWISE SPECIFIED DIMENSIONS ARE IN MILLIMETERS DIMENSIONS IN INCHES ARE NOTED AND FOR CUSTOMER REFERENCE ONLY.	DRAWN C.R.S.	11/08/04	
UNLESS OTHERWISE SPECIFIED DIMENSIONS ARE IN MILLIMETERS DIMENSIONS IN INCHES ARE NOTED AND FOR CUSTOMER REFERENCE ONLY.	CHECKED		
UNLESS OTHERWISE SPECIFIED DIMENSIONS ARE IN MILLIMETERS DIMENSIONS IN INCHES ARE NOTED AND FOR CUSTOMER REFERENCE ONLY.	ISSUED		
UNLESS OTHERWISE SPECIFIED DIMENSIONS ARE IN MILLIMETERS DIMENSIONS IN INCHES ARE NOTED AND FOR CUSTOMER REFERENCE ONLY.	SHEET 1 OF 1		

QAD FILE C:/122/122386.DWG	DWG. NO. 122386.DWG	REV. A	SIZE A	SCALE NA
----------------------------	---------------------	--------	--------	----------