

Our Products

7/16
BNC
D-Sub
FME
MCX
MMCX
SMA
SMB
SMC
TNC
Twin BNC
Type F
Type N
UHF

Between-Series Adapters
Shielded Terminations
Strain-Relief Boots
Tools

View All Products

Search Results for: Bulkhead Receptacle Jack

Please note: Images are for reference only



Part Number: 112424

Family/Series: BNC Coaxial Connectors

Product Type: BULKHEAD
RECEPTACLE/SOLDER POT
TERMINALS

Description: Bulkhead Receptacle Jack
L1 = 3.2 [.126] panel thickness, L = 26.7
[1.05]

Cable: Non Applicable **

Cable Group: N/A

Finish: Nickel

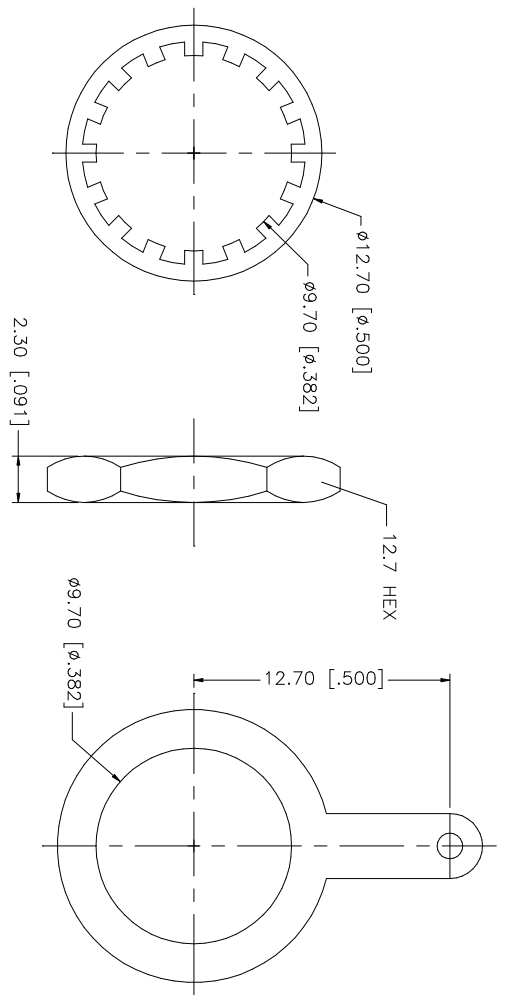
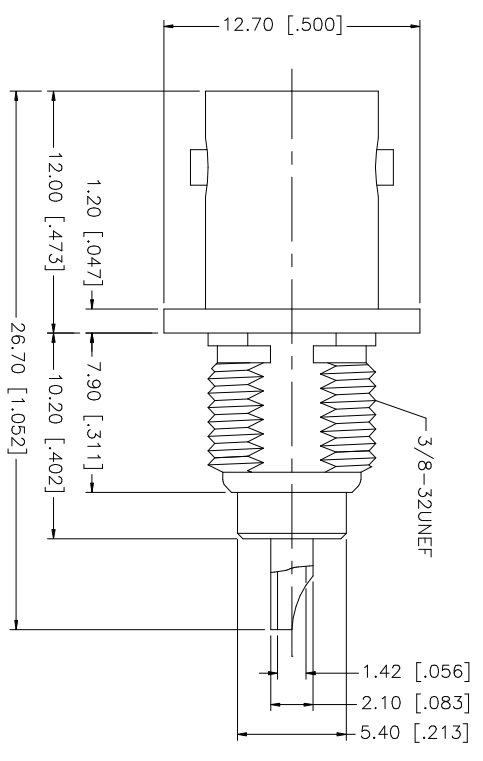
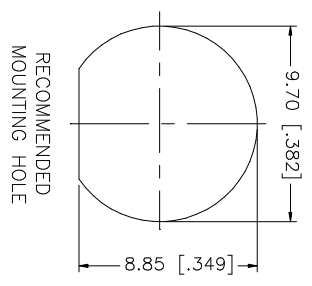
Insulation: Delrin

Impedance: 50 ohms

Crimp Tool: N/A

[Add to Cart](#) | [Product Specs](#) | [Customer Drawing](#)

REV.	DATE	DESCRIPTION
A	01/07/04	UPDATE DRAWING FORMAT



QTY	FINISH	MATERIAL	DESCRIPTION
1	NICKEL	BRASS	SOLDER TAB
1	NICKEL	BRASS	HEX NUT
1	NICKEL	BRASS	LOCK WASHER
1	NATURAL	DELIRIN	INSULATOR
1	GOLD	PHOS. BRONZE	CONTACT PIN
1	NICKEL	BRASS	BODY
			DESCRIPTION

APPROVALS	DATE
DRAWN G.R.S.	01/07/04
CHECKED	
ISSUED	
SHEET 1 OF 1	

PART DESCRIPTION	PART NO.
Amphenol Connex BNC BULKHEAD RECEPTACLE JACK (50 ohms)	112424

CAD FILE	DWG. NO.	REV	SIZE	SCALE
C:/112/112424.DWG	112424.DWG	A	A	NA

UNLESS OTHERWISE SPECIFIED DIMENSIONS ARE IN MILLIMETERS. DIMENSIONS IN [] ARE IN INCHES AND FOR CUSTOMER REFERENCE ONLY.
 UNLESS OTHERWISE SPECIFIED TOLERANCES FOR MILLIMETERS ARE:
 0.5 - 8mm ± 0.20mm
 8 - 30mm ± 0.40mm
 30 - 120mm ± 0.50mm
 UNLESS OTHERWISE SPECIFIED TOLERANCES FOR INCHES ARE:
 .020 - .315 = ± 0.007"
 .315 - 1.180 = ± 0.015"
 1.180 - 4.724 = ± 0.020"
 DO NOT SCALE DRAWING