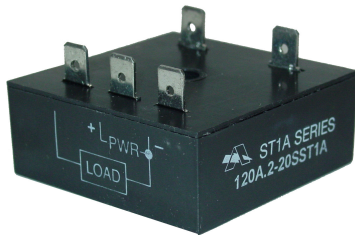




Solving your relay requirements since 1922

## ST1A Series Solid State Delay-On-Make Timers

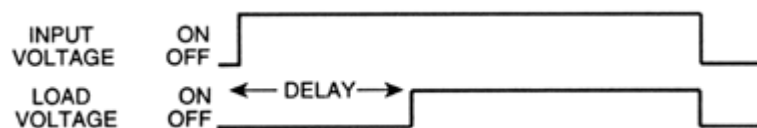


- ... 100% solid state circuitry - no moving parts
- ... CMOS digital timing circuitry
- ... Fixed or field adjustable delays from milliseconds to hours
- ... 2 amperes continuous load current (10 amperes available, consult factory)

### Timing Mode:

Delay on operate begins upon application of input power. The load is energized at the end of the delay period and remains so until input power is removed.

### Timing Diagram:



### Contact Information:

Solid state switching device 1 form A; normally open series connection. Continuous current rating 2 amperes. Maximum inrush 20 amperes. Voltage drop 2.5 volts RMS or less @ 2 amperes. (For 10 ampere load current rating consult factory).

Note: Maximum current rating for 110V DC is 2 amperes (heat sink required).

)

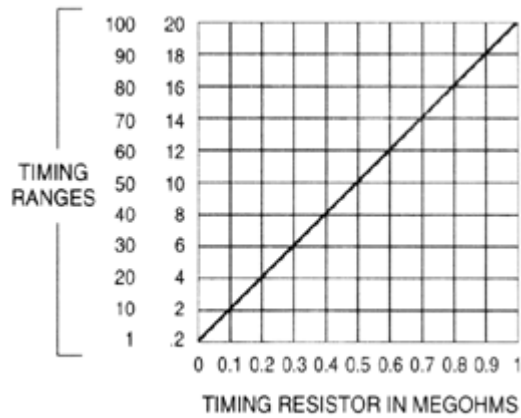




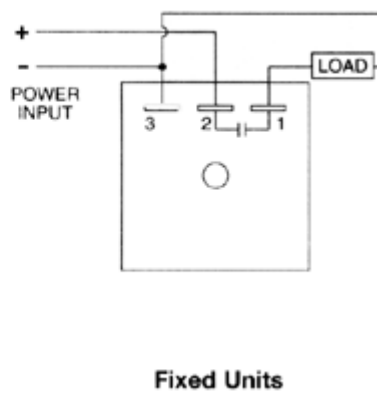
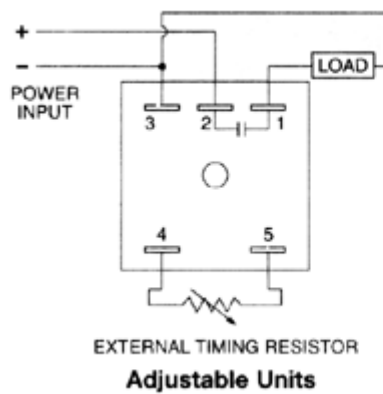
Solving your relay requirements since 1922

110V	95V	125V
120V	105V	130V
230V	190V	255V

### External Resistor Selection:



### Wiring Diagrams:



### Mechanical Information:

Enclosure 2 X 2 X 3/4 inch black plastic, epoxy sealed. Center hole mounting. Three or five 1/4 inch quick connect male terminals



Solving your relay requirements since 1922



### Ordering Information:

Definition of a part number for the Amperite ST1A Series Time Delay Relay:

Example:

120 A .1 - 10 M ST1A  
↑    ↑    ↑    ↑    ↑    ↑  
A    B    C    D    E    F

**A:** Denotes nominal input voltage. Voltages available: 12V, 24V, 120V & 230V AC; 12V, 24V, 48V & 110V DC. **Custom voltages are available.**

**B:** Denotes type of input power required for operation: A = AC - Alternating Current; D = DC - Direct Current.

**C & D:** Denotes range of adjustability by using an external resistor or potentiometer, where C is the minimum timing and D is the maximum timing. Standard timing span is 100:1. For fixed timing units specify a single number.

**E:** Denotes unit of time delay: S=seconds; M=minutes; H=hours.

**F:** Denotes Amperite ST1A Series solid state, delay-on-make timer.



*Solving Your Relay Requirements Since 1922*