

ROTRON® Regenerative Blowers

Filtration Accessories

Blower Connection Key

NPT – American National Standard Taper Pipe Thread (Male)

NPSC – American National Standard Straight Pipe Thread for Coupling (Female)

SO – Slip On (Smooth – No Threads)

Inlet Filter (Single Connection)

Inlet Filters protect the blower and the air distribution system from dust, and other airborne particles and contaminants. Normally used in pressure systems.

SPECIFICATIONS:

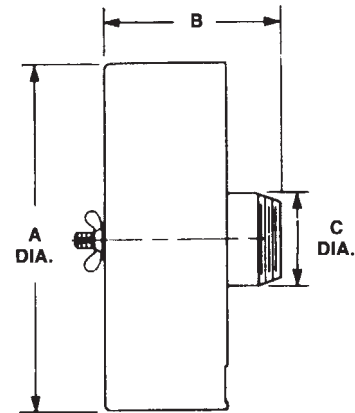
HOUSING – Steel

MEDIA – Polyester

EFFICIENCY – 97-98% (8 to 10 micron particle size)

FILTER ELEMENT – Replaceable (see filter elements)

NOTE: “Z” MEDIA (1 to 3 micron particle size) available



| Standard Media Filter P/N | Filter Element | Reference Blower Model | Connection Inlet | Dimensions (Inches) | | | Z Media Filter Part Number |
|------------------------------|----------------|---------------------------|---------------------|---------------------|-------|------|-------------------------------|
| | | | | A | B | C | |
| 477411 | 271078 | A | 2.00 SO | 4.56 | 6.12 | 2.00 | |
| 516466 | 515132 | B | 1.00 NPT | 6.00 | 6.50 | 1.00 | 517865 |
| 515122 | 515132 | C,D | 1.50 NPT | 6.00 | 6.50 | 1.50 | 517866 |
| 515123 | 515133 | E | 2.00 NPT | 7.75 | 7.25 | 2.00 | 517867 |
| 515124 | 515134 | E | 2.00 NPT | 10.00 | 12.25 | 2.00 | 517868 |
| 515125 | 515134 | F | 2.50 NPT | 10.00 | 12.50 | 2.50 | 517869 |
| 515145 | 515134 | G | 3.00 NPT | 10.00 | 13.00 | 3.00 | 517870 |
| 515151 | 515135 | H | 4.00 NPT | 10.00 | 14.00 | 4.00 | 517871 |
| 516511 | 516515 | H | 6.00 NPT | 16.00 | 15.00 | 6.00 | 517872 |

Inline Filter (Dual Connection)

Inline Filters protect the blower from harmful dust and other particles that may be drawn into the blower through the air distribution system. Normally used in vacuum systems.

SPECIFICATIONS:

HOUSING – Steel

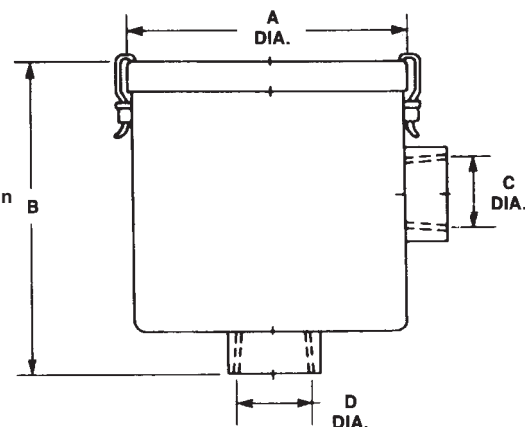
MEDIA – Polyester

EFFICIENCY – 97-98% (8 to 10 micron particle size)

FILTER ELEMENT – Replaceable (see filter elements)

NOTE: “Z” MEDIA (1 to 3 micron particle size) available

Inline filter PN 271200 is a straight through design
Inlet “C” is directly opposite of outlet “D”



| Standard Media Filter P/N | Filter Element | Reference Blower Model | Connection | | Dimensions (Inches) | | | | Z Media Filter Part Number |
|------------------------------|----------------|---------------------------|-------------|-------------|---------------------|-------|------|------|-------------------------------|
| | | | Inlet | Outlet | A | B | C | D | |
| 271200 | 271078 | A | 1.75 SO | 2.00 SO | 5.25 | 8.31 | 2.00 | 1.75 | |
| 516461 | 516434 | B | 1.00 NPSC-F | 1.00 NPSC-F | 7.25 | 6.50 | 1.00 | 1.00 | 517886 |
| 515254 | 516434 | C,D | 1.50 NPSC-F | 1.50 NPSC-F | 7.00 | 6.50 | 1.50 | 1.50 | 517887 |
| 515255 | 516435 | E | 2.00 NPSC-F | 2.00 NPSC-F | 8.00 | 10.25 | 2.00 | 2.00 | 517888 |
| 515256 | 516435 | F | 2.50 NPSC-F | 2.50 NPSC-F | 8.00 | 10.25 | 2.50 | 2.50 | 517889 |
| 516463* | 515135 | G | 3.00 NPT-M | 3.00 NPT-M | 14.00 | 26.50 | 3.00 | 3.00 | 517890 |
| 516465* | 515135 | H | 4.00 NPT-M | 4.00 NPT-M | 14.00 | 27.00 | 4.00 | 4.00 | 517891 |
| 517611* | 516515 | H | 6.00 NPT-M | 6.00 NPT-M | 18.00 | 28.00 | 6.00 | 6.00 | 517892 |

* Feature 1/4" threaded tap for gauge connection on inlet and outlet

Rev. 2/04