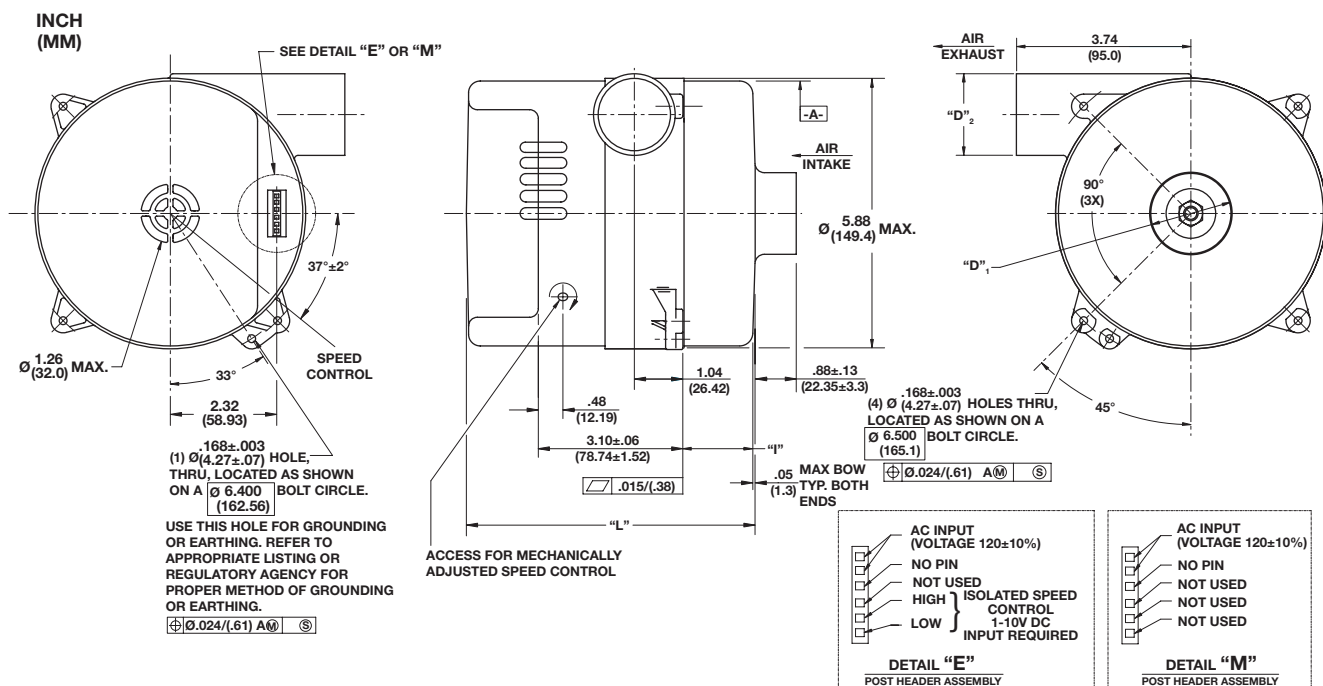


5.7" (145mm) BLDC Bypass Blower

250 Watt, 120 Volt Standard Flow



Blower Data	Unit of Measure	Part Number		
		Standard Flow		
		116634 M* / 116640 E*	116633 M / 116639 E	116632 M* / 116638 E*
Stages	—	1	2	3
Vacuum, Maximum (Sealed Vacuum)	in. H ₂ O	29.5	40.1	78.4
	mBar	73.4	99.8	195.0
Pressure, Maximum (Sealed Pressure)	in. H ₂ O	30.4	41.3	80.5
	mBar	73.3	102.3	200.3
Flow Rate, Maximum (Open Flow)	CFM	75.9	65.6	56.4
	m ³ /hr	127.3	111.4	95.9
Inlet/Outlet Diameter (Dimension "D" above)	inches	1.25	1.25	1.25
	mm	31.75	31.75	31.75
Length (Dimension "I" above)	inches	0.33	1.25	2.14
	mm	8.38	31.75	54.36
Length (Dimension "L" above)	inches	5.08	6.35	6.89
	mm	129.03	161.29	175.01

* These part numbers are available through AMETEK Technical & Industrial Products' distributors.

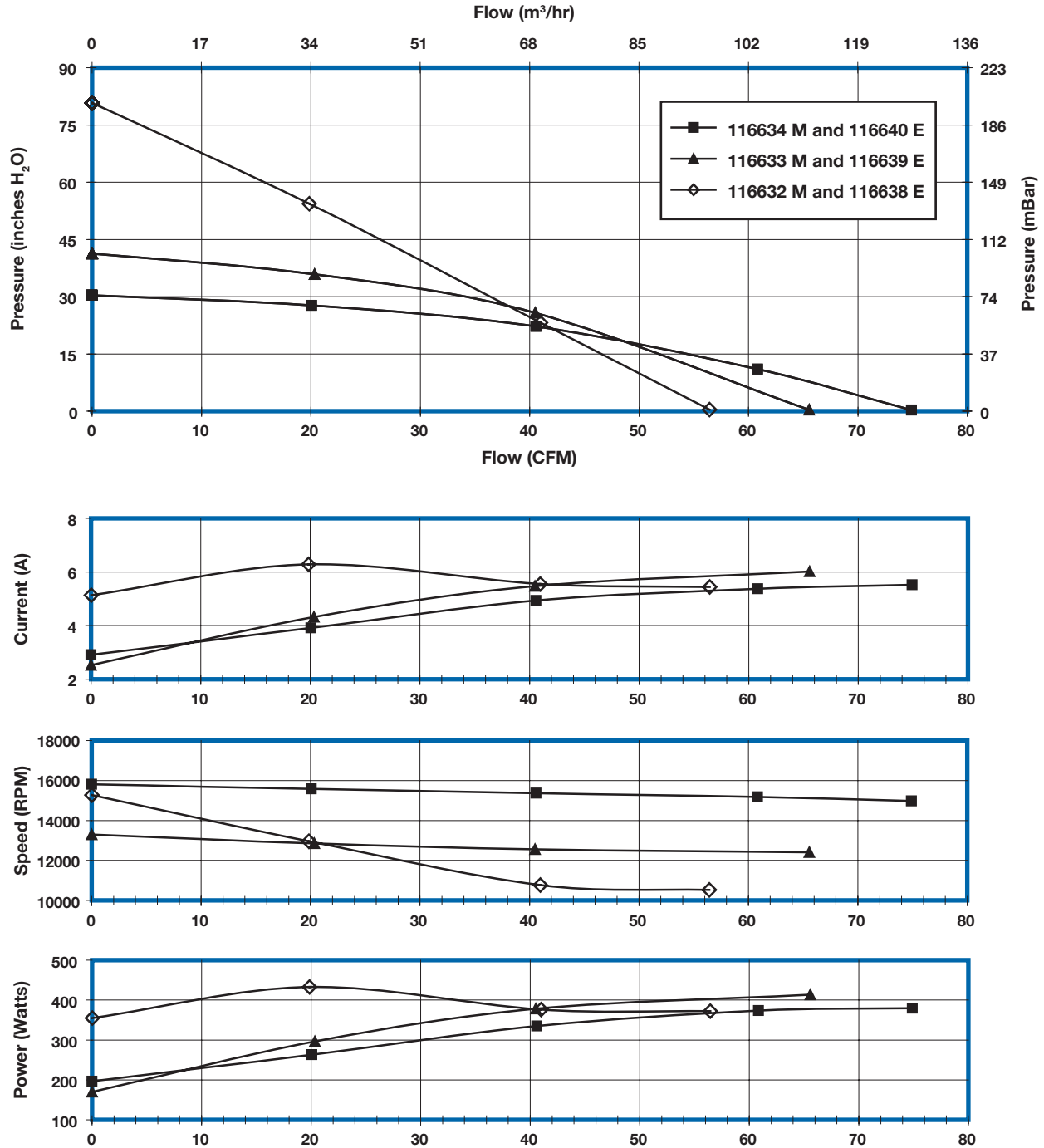
NOTES:

- **Nominal Input Voltage:** 120 Volts AC RMS ±10%, 50/60Hz.
- **Input Current:** 5 amps AC RMS maximum.
- **Temperature:** Working Air: 0°C to 50°C; Ambient Air: 0°C to 50°C; Storage Air: -40°C to 85°C.
- **Dielectric Testing:** 1500 volts AC RMS 60Hz applied for one second between input pins and ground, 3mA leakage maximum.
- **Speed Control:** E (Electrical): Pulse Width Modulation or Analog input voltage (user supplied), 0 to 10 Volts DC nominal, 10mA maximum, 3 to 15 volts DC maximum. Access to sensitivity adjustment for 0 to 10 VDC speed control. (Ref. pin connection).
M (Mechanical): A potentiometer is available for speed control of the blower. The potentiometer can be preset for a specific speed. Access to speed adjustment.
- **Maximum Approximate Weight:** 6 lbs.
- **Regulatory Agency Certification:** Underwriters Laboratories, Inc. is qualified per UL507 under File E-94403; Canadian Standards Association is qualified per C22.2#113 under File LR 43448.
- **Miscellaneous:** Intake and exhaust tubes, all cooling ducts, and vents must not be obstructed. Intake and exhaust are free of grease, oil, or foreign particles. Amp housing #640250-6 (to be supplied by customer), mates with post header assembly.
- Mating harness available upon request. Refer to page 136 for specific part numbers.
- **Optional** – Universal AC input version available with IntelliGen™ control (120-240 VAC input).
- **Optional** – Tachometer output card available with IntelliGen™ controller.

5.7" (145mm) BLDC Bypass Blower

250 Watt, 120 Volt Standard Flow

TYPICAL PERFORMANCE



HIGH-VOLTAGE
BLDC BLOWERS

This document is for informational purposes only and should not be considered as a binding description of the products or their performance in all applications. The performance data on this page depicts typical performance under controlled laboratory conditions using AMETEK BLDC motor controllers. Actual performance will vary depending on the operating environment and application. AMETEK products are not designed for and should not be used in medical life support applications. AMETEK reserves the right to revise its products without notification. The above characteristics represent standard products. For product designed to meet specific applications, contact AMETEK Technical & Industrial Products Marketing and Sales.

AMETEK TECHNICAL & INDUSTRIAL PRODUCTS

627 Lake Street, Kent OH 44240

Tel: +1 330-673-3452 • Fax: +1 330-677-3306 • www.ametektip.com