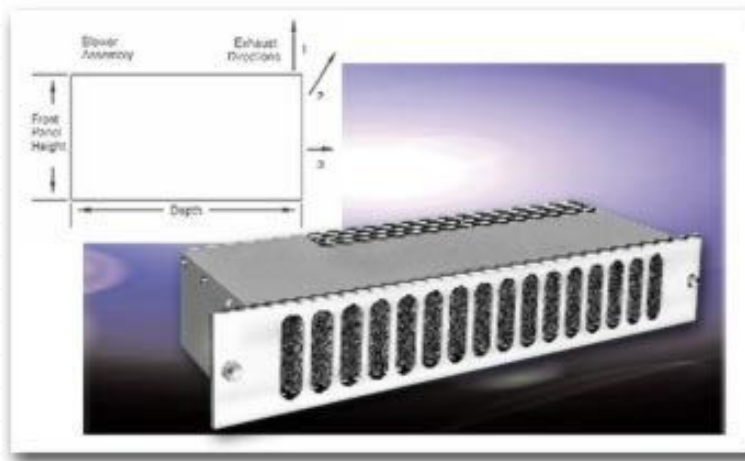


Accessories - Blowers/Fans
Blowers







[Click on Image for Larger View](#)

Design Features

The lowest silhouette height with the highest CFM output in the industry. Blowers exit air out the back, also, up and out the top of racks, cabinets or consoles.

Blower					
Features		B-25-A	B-60	B-62	
Panel Height		5.25"	3.50"	5.25"	
Overall Depth		14.50"	10.50"	7.69"	
Motor	Bearings		Ball	Ball	Ball
	Watts	High	410	90	95
		Low	225		
	RPM	High	1135	1500	3000
		Low	675		
	Run Amps	High	5.3	1.2	1.4
		Low	2.7		
L.R. Amps	High	6.1	1.6	1.9	

	Low	2.8		
Air CFM	High	350	160	300
	Low	215		
Exhaust Direction		3	2	2
Noise Level	High Speed	65*	53**	58**
	Low Speed	50		
Power Cord	Length	24.00'	36"***	36"***
	No. of Wires	3	3	3
Weight Lbs.		30	18	13
Drawings				
* Noise criteria units. ** DBA *** Includes molded plug				

Filter				Filter Reconditioner
Catalog No.	BF-26	BF-61	BF-63	FR-68
Fits Blower	B-25-A	BF-60	BF-62	Apply to washed filter to restore full original filtering capacity.
Height	5.12"	3.06"	4.81"	
Weight	2 oz.	2 oz.	2.5 oz.	
Drawings		Contact Factory	Contact Factory	

 Autocad DXF Specifications File
(Requires CAD software such as AutoCAD)

 Adobe PDF Specifications File



[Download PDF Viewer](#)

[Home](#) | [Company Info](#) | [Online Catalog](#) | [Check Stock](#) | [Distributor/Price](#)

[Reps](#) | [New](#) | [Search](#) | [Contact](#) | [Privacy Policy](#)

BUD INDUSTRIES INC.

P.O. Box 998
Willoughby, Ohio 44094
Phone: 440-946-3200 Fax: 440-951-4015
E-Mail: saleseast@budind.com

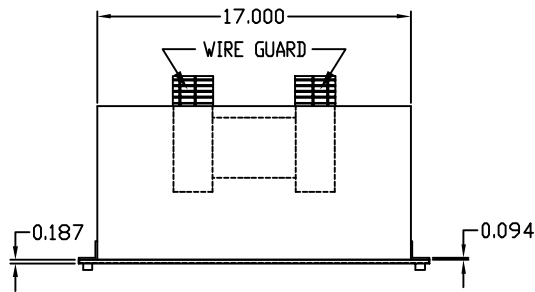
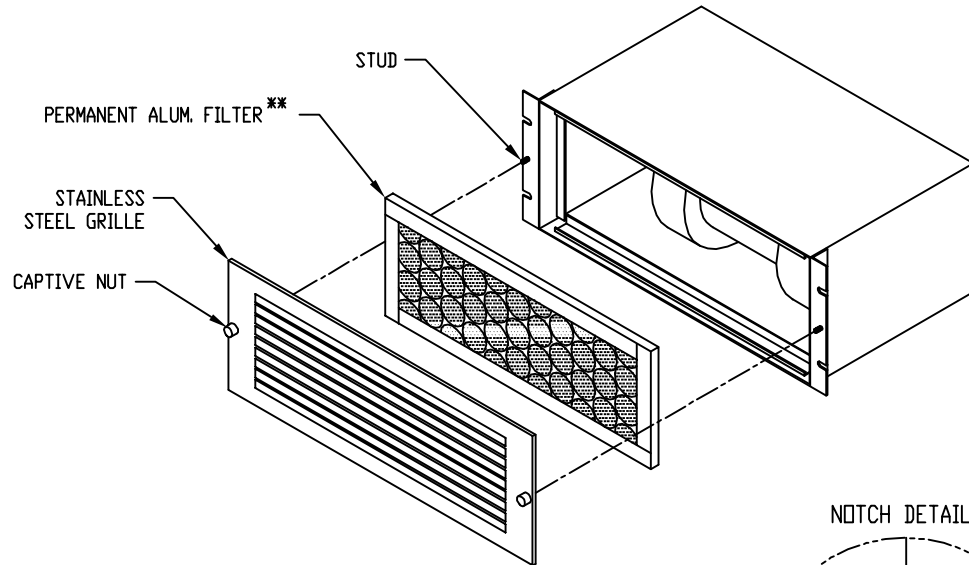
PART NAME

BLOWER

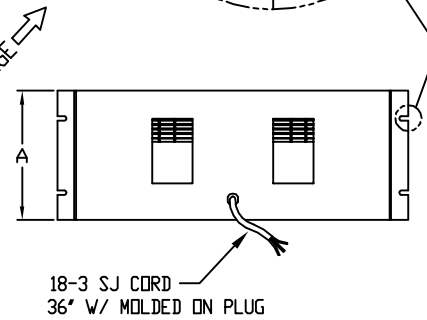
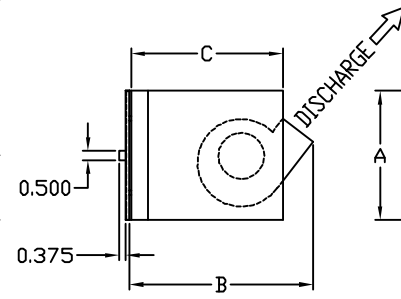
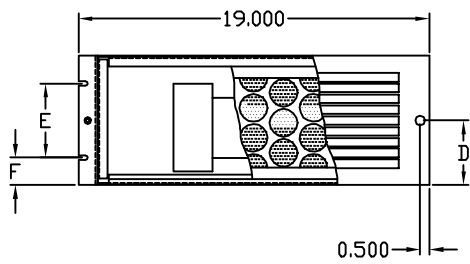
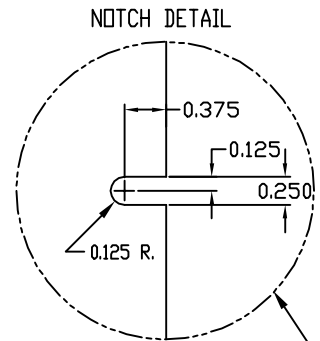
PART No.

B-60

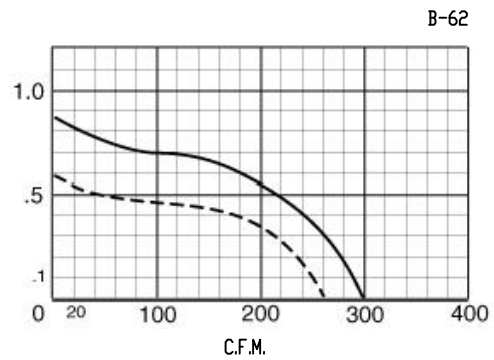
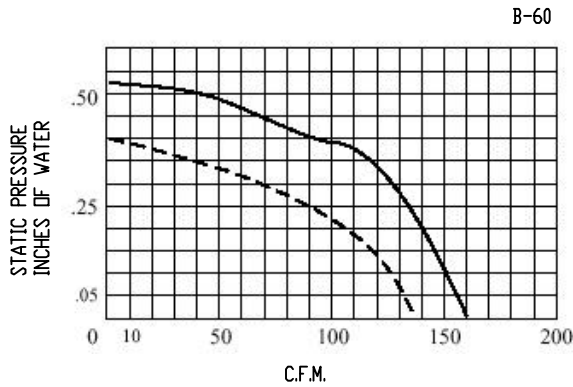
B-62



B-60 SHOWN



AIR DISPLACEMENT:



** USE FR-68 FILTER RECONDITIONER AFTER WASHING FILTER

* NOMINAL AIR FLOW AT 'D' STATIC PRESSURE

PART NO.	A	B	C	D	E	F	POWER	C.F.M. * 60 HZ	R.P.M.	WATTS	FILTER **
B-60	3.50	10.50	8.75	1.75	3.00	0.25	115 VAC	160	1500	90	BF-61
B-62	5.25	7.69	6.25	2.63	2.25	1.50		300	3000	95	BF-63