

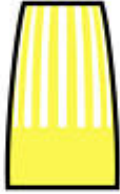
Solutions for Electronic Specialty Markets (ESM)

Product Catalog for Electronic Specialty Markets

- 3M™ Electronic Specialty Markets - New Product Releases
- 3M™ Abrasives
- 3M™ Adhesives, Cleaners & Compounds
- 3M™ Breadboards & Test Clips
- 3M™ Cable & Assemblies
- 3M™ Copper Interconnects
- 3M™ Fiber Optics
- 3M™ Fire Protection
- 3M™ Heat Shrink
- 3M™ Identification Systems
- 3M™ Occupational Health & Safety Products
- 3M™ Protective Bumpers
- 3M™ Reclosable Fasteners
- 3M™ Splicing, Terminating & Ducting
- 3M™ Static Control
- 3M™ Tapes
- 3M™ Terminals, Kits & Tools
- 3M™ Vacuums & Accessories
- 3M™ Warehousing & Packaging Supplies
- **3M™ Wire Connectors**

[Product Catalog for Electronic Specialty Markets](#) > [3M™ Wire Connectors](#) > [3M™ Spring Connectors and Tools](#) > [3M™ Scotchlok™ Y, R, G and B Electrical Spring Connectors](#) >

[Printer-friendly format](#) **3M™ Scotchlok™ Electrical Spring Connectors Y-BOX**



[\[click to enlarge\]](#)

5-8#22, 4-6#20, 2-5#18, 2-3#16 AWG, 100 per box, Yellow

GTIN(UPC/EAN) : 0 00 54007 20041 3
3M Id : 80-6100-2352-7

Additional Information

3M™ Scotchlok™ Electrical Spring Connectors Y, R, G and B are the original color-coded wire connectors with a unique soft shell that is easy on the fingers. They are flexible, yet durable, and provide a compact, fully-insulated connection that won't cut or abrade wires. Their torque fins are engineered to provide a comfortable and secure grip, which makes installation fast and back-off

[Full Text . . .](#)

Characteristics

Agency Approvals	UL and CSA
China RoHS - Below MCV	Yes
Color	Yellow
EU RoHS Compliant	Yes
Maximum Recommended Voltage Rating	600 Volt
Units per Box	100

Other Tools

- What's New
- Sales Contacts
- U.S. Distributors

Learn More . . .

[Packaging Data](#)

[Ordering Information for Scotchlok Y Spring Connectors - Product Selection Guide \(HTML 1.5 K\)](#)

[Scotchlok Y \(Yellow\) Insulated Electrical Spring Connector - Data Sheet \(PDF 70.6 K\)](#)

Please Note:

Adobe® Acrobat® Reader is required to view PDF documents.





Scotchlok™ Y (Yellow)

Insulated Electrical Spring Connector

Data Sheet



Application

Use a Y Scotchlok™ connector to electrically connect two or more conductor ends in a pigtail application and insulate the connection, or insulate a single conductor end.

Wire Range

AWG Range: solid or stranded copper conductors only. No. 22 thru No. 10 (0,75 mm² thru 2,5 mm²)

Construction

- Spring** Spring steel, Corrosion resistant coating
- Shell** Steel, Corrosion resistant coating
- Insulator** Flame Retardant Flexible Polyvinyl Chloride
Color- yellow

Weight

.0043 lb. (1.96 gm)

Engineering Specification

Electrical Spring Connector (as manufactured by 3M, part No. Y Scotchlok) capable of connecting two or more wires in a pigtail application, in the wire range of No. 22 thru No. 10 AWG solid or stranded copper conductors. The conductor shall have a corrosion resistant coating. The connector shall be constructed

of an active (live) spring and a steel shell covered by a vinyl insulator. The spring shall have a corrosion resistant coating. (The connector shall be UL Listed and CSA Certified as a pressure cable connector. The connector shall be voltage rated 600 volts maximum, building wire, 1000 volts maximum, signs, fixtures and luminaires. The connector shall have a maximum operating temperature of 105°C.

Regulatory Agencies

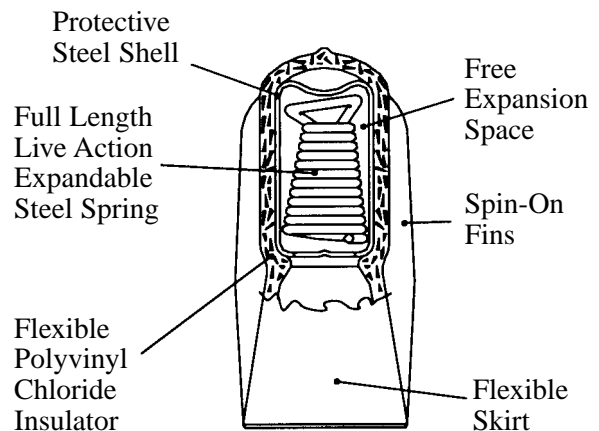
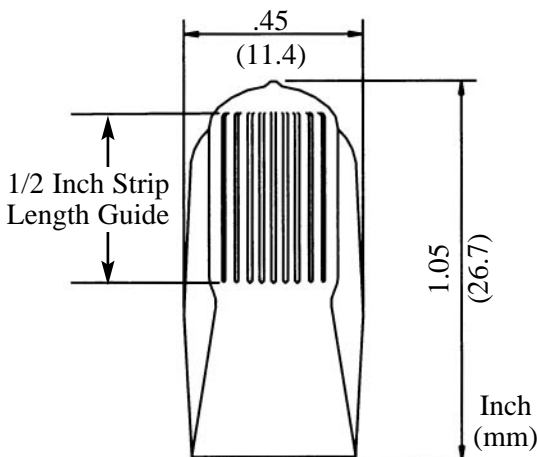
UL Listed as a Pressure Cable Connector
 Tested per UL Standard 486C
 UL File No. E23438
 Operating Temperature: 105°C (221°F)
 Voltage Rating: 600 volts max. building wire;
 1000 volts max. signs and fixtures
 Flammability Rating: UL94 V-2

CSA Certified-CSA Standard C22.2 No. 0, 188-M1983
 CSA File No. LR15503
 Operating Temperature: 105°C (221°F)
 Voltage Rating: 600 volts max. building wire
 1000 volts max. signs and luminaires.
 Flammability Rating: C22.2 No. 0.6 V-2

Federal Specification W-S-610:

“Commercial package only”

Type	Class	Kind	Style
1	1	cu	G



Scotchlok™ Y

AWG Wire Combinations Copper to Copper Conductors



□ = 300 volts
● = 600 volts

All wire combinations are 600 volt UL Listed when using conductors with insulation thickness such as TW and THHN.

UL Listed single wire terminations:
No: 10, 12 and 14 AWG



All wire combinations are 600 volts CSA Certified

22 STR	1	□ □																				
	2		□ □ □																			
	3			□ □ □ □																		
	4				□ □ □ □ □																	
	5					□ □ □ □ □ □																
22 SOL	1				□ □																	
	2					□ □ □																
	3						□ □ □ □															
	4							□ □ □ □ □														
	5								□ □ □ □ □ □													
20 STR	1							□ □														
	2								□ □ □													
	3									□ □ □ □												
	4										□ □ □ □ □											
	5											□ □ □ □ □ □										
20 SOL	1																					
	2																					
	3																					
	4																					
	5																					
18 STR	1																					
	2																					
	3																					
	4																					
	5																					
18 SOL	1																					
	2																					
	3																					
	4																					
	5																					
16 STR	1																					
	2																					
	3																					
16 SOL	1																					
	2																					
	3																					
	4																					
14 STR	1																					
	2																					
14 SOL	1																					
	2																					
12 STR	1																					
	2																					
12 SOL	1																					
	2																					
10 STR	1																					
10 SOL	1																					
		1 2 3 4 5	1 2 3 4 5	1 2 3 4 5	1 2 3 4 5	1 2 3 4	1 2 3 4	1 2	1 2	1 2	1 2	1 2	1 2	1	1							
		22 STR	22 SOL	20 STR	20 SOL	18 STR	18 SOL	16 STR	16 SOL	14 STR	14 SOL	12 STR	12 SOL									

How to read this chart:

Example 1:
2 No. 16 str.
+ 3 No. 18 sol. (5)

Example 2:
1 No. 14 str.
+ 2 No. 16 sol. (3)

Installation Instructions

WARNING

Turn power off before installing or removing terminal. All electrical work should be done according to appropriate electrical codes.

1. Strip wire insulation 1/2 inch (12.7 mm) from the end of the wires to be connected.
2. Firmly grasp wires, making sure insulation ends are even and tightly bundled. (wires may be twisted or untwisted). Slip connector over wire tips.
3. Turn connector onto wires in a clockwise direction until secure.
4. To remove, turn connector counter-clockwise.

Metric Wire Combinations

Copper Conductors Only

Conductor Combinations	
Minimum	Maximum
2,0mm ²	7,5mm ²

Conductor Combinations		
Quantity	Size	Type
3-6	0,75mm ²	sol/str
2-6	1,0mm ²	sol/str
2-4	1,0mm ²	sol/str
2-3	2,5mm ²	sol/str

Only AWG combinations are UL Listed or CSA Certified.