

ScotchCode™ Write-On Wire Marker Dispensers and Marking Pens

Application:

Fast, convenient write-on wire marker for marking wire and cable (with a O.D. of 0.9 to 1.32 inches), while providing a self-laminating protective shield over the legend.

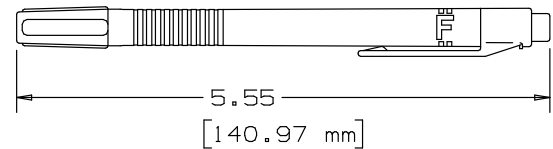
Tape Technical Data:

(All Values are Typical Values)

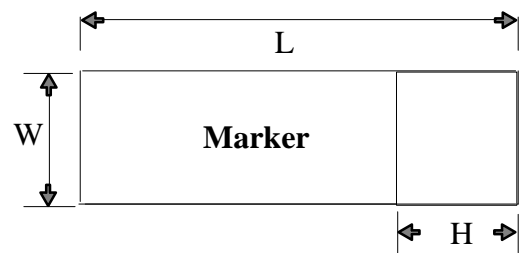
Material	Transparent vinyl film with acrylic pressure sensitive adhesive
Application Temperature Range	50°F to 120°F (10°C to 49°C)
Operating Temperature Range	-40°F to 176°F (-40°C to 80°C)
Storage Temperature	70°F (21°C)
Tape Thickness	3.5 mils (0,10mm)
Adhesion to Steel (ASTM D-1000)	35 oz./inch width (383 Newtons/meters)
Adhesion to Backing (at 23°C)	40 oz./inch width (438 Newton/meters)
Tensile Strength	11 lbs./inch width

Engineering Specification:

A vinyl film with acrylic pressure-sensitive adhesive that provides a self-laminating, protective shield over the legend. Each roll of marking tape shall be placed in a reenterable dispenser for use with a permanent marking pen. Markers shall be manufactured by 3M.

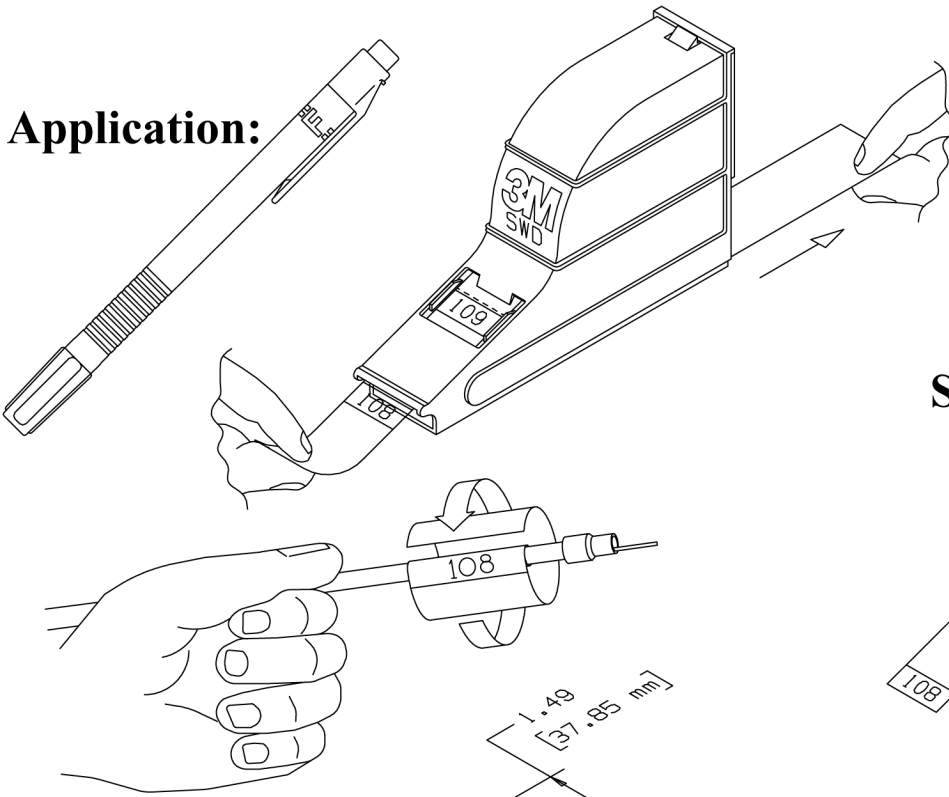


Replacement Pens	
Product No.	Description
SMP	Black, Pen
SMP-R	Red, Pen

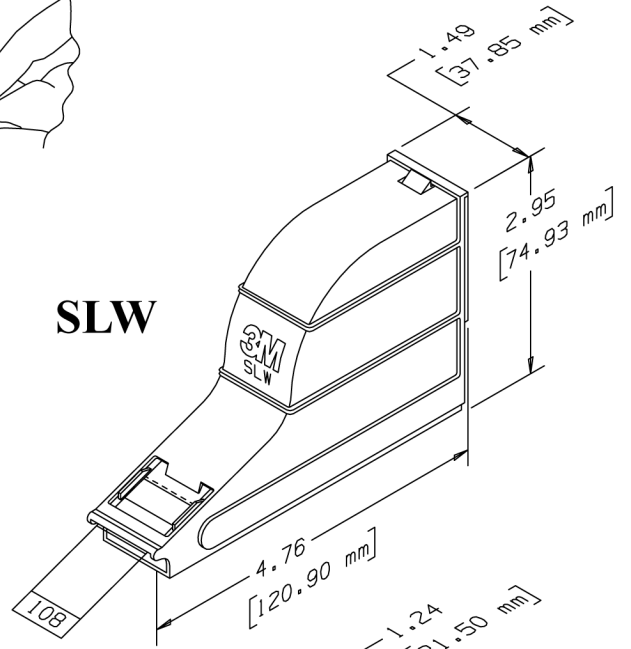


Product	No. of Labels per Roll	Write-on Area W x L inches (mm)	Marker Size W x L inches (mm)	Recommended Wire O.D. inches (mm)	Recommended Wire Size AWG (mm ²)
SWD	250	0.75 x 0.312 (19,0 x 7,9)	0.75 x 1.375 (19,0 x 34,9)	0.09 to 0.31 (2,3 to 7,9)	12 to 2 (4 to 35)
SLW	70	1.0 x 0.75 (25,4 x 19,0)	1.0 x 5.0 (25,4 x 127,0)	0.23 to 1.32 (5,8 to 33,5)	4 to 1000 (22 to 500)
SLS	170	1.0 x 0.5 (25,4 x 12,7)	1.0 x 2.125 (25,4 x 54,0)	0.15 to 0.49 (3,8 to 12,4)	6 to 3/0 (8 to 95)

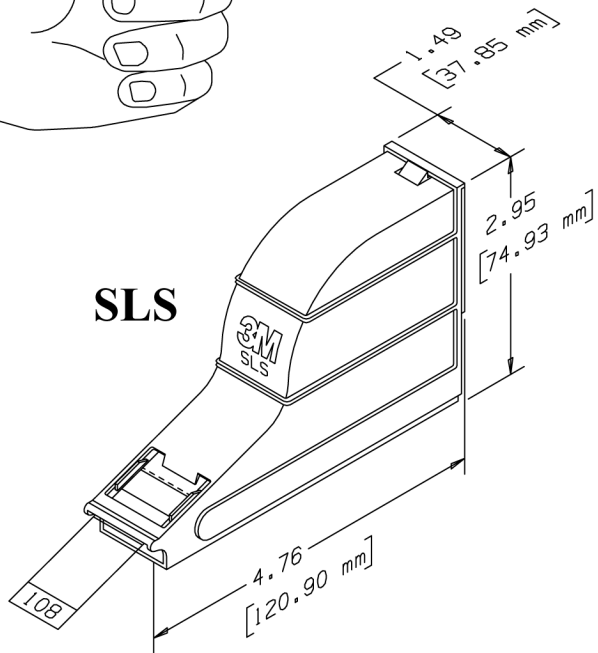
Application:



SLW



SLS



SWD

