

[Product Catalog for Electronics Manufacturing](#) > [3M™ Telecommunications OEM Center](#) . . . [3M™ D Sub, Plug Connector, 8200 Series](#) > [3M™ D Sub, Plug Connector, 9 Contacts, 8209 Series](#) >

 [Printer-friendly format](#) **3M™ D Sub Connectors, D Sub Plug, 9 Contacts, 8209-8000, 100/Pack**



**Open Cover w/o Adhesive, Preassembled, Mounting Style Ø.120 [3.05]. Available Option is 3448-8D9A Strain Relief, Ordered Separately.**

[\[click to enlarge\]](#)

3M Id : DE-6100-0792-9

#### Additional Information

- Available in either preassembled or two piece covers
- Available in either open or closed end cover
- Available with dimples to aid in EMI/ESD protection
- Improved metal strain relief hooks directly to metal shell
- Low profile
- Four mounting options
- RoHS compliant

For more information, refer to TS0234 (TS-0234).

▼ **Electronics Manufacturing**

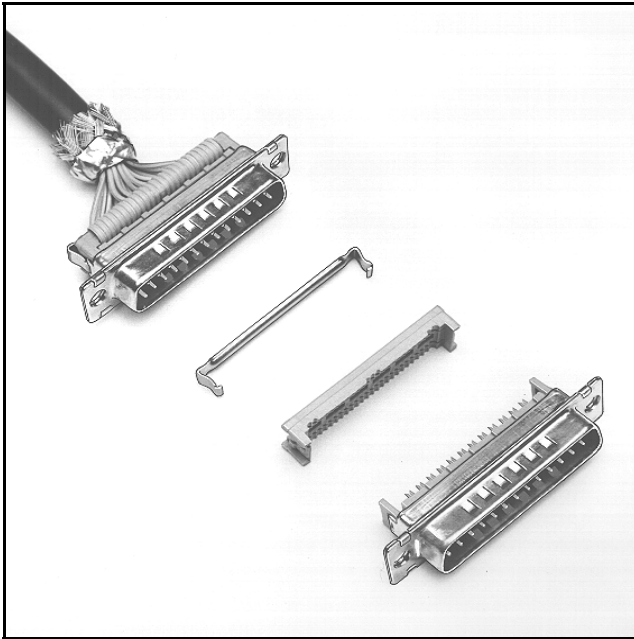
▼ **Product Catalog for Electronics Manufacturing**

- **3M™ Bonding Tapes & Adhesives**
- **3M™ Electronic Solutions Products**
- **3M™ Electronic Specialty Markets**
- **3M™ Insulation & Protection**
- **3M™ Interconnect Solutions**
- **3M™ Personal Safety Products**
- **3M™ Tapes**
- **3M™ Telecommunications OEM Center**
- **Electronic Materials**

# 3M™ D Sub Plug

Plug Connector

8200 Series



- Available in either open or closed end cover
- Available with dimples to aid in EMI/ESD protection
- Improved metal strain relief hooks directly to metal shell
- Low profile
- Four mounting options
- RoHS\* compliant

Date Modified: January 10, 2007

TS-0234-24  
Sheet 1 of 3

## Physical

### Insulation

Material: Glass Filled Polyester (PBT)

Flammability: UL 94V-0

Color: Gray

### Contact

Material: Copper Alloy

### Plating:

Underplating: 100 μ" [ 2.54 μm ] Nickel

Wiping Area: 30 μ" [ 0.76 μm ] Gold

**Shell Material:** Steel

Plating: Tin

**Strain Relief Material:** Stainless Steel .016 [ 0.40 ] Thick

**Wire Accommodation:** 26 and 28 AWG Solid or Stranded

**Marking:** 3M Logo and Contact Position Numbers

## Electrical

**Current Rating:** 1 A

**Insulation Resistance:**  $> 1 \times 10^9 \Omega$  at 500 V<sub>DC</sub>

**Withstanding Voltage:** 1000 Vrms at Sea Level

## Environmental

**Temperature Rating:** -55°C to +105°C

"RoHS compliant" means that the product or part does not contain any of the following substances in excess of the following maximum concentration values in any homogeneous material, unless the substance is in an application that is exempt under RoHS: (a) 0.1% (by weight) for lead, mercury, hexavalent chromium, polybrominated biphenyls or polybrominated diphenyl ethers; or (b) 0.01% (by weight) for cadmium. Unless otherwise stated by 3M in writing, this information represents 3M's knowledge and belief based upon information provided by third party suppliers to 3M.

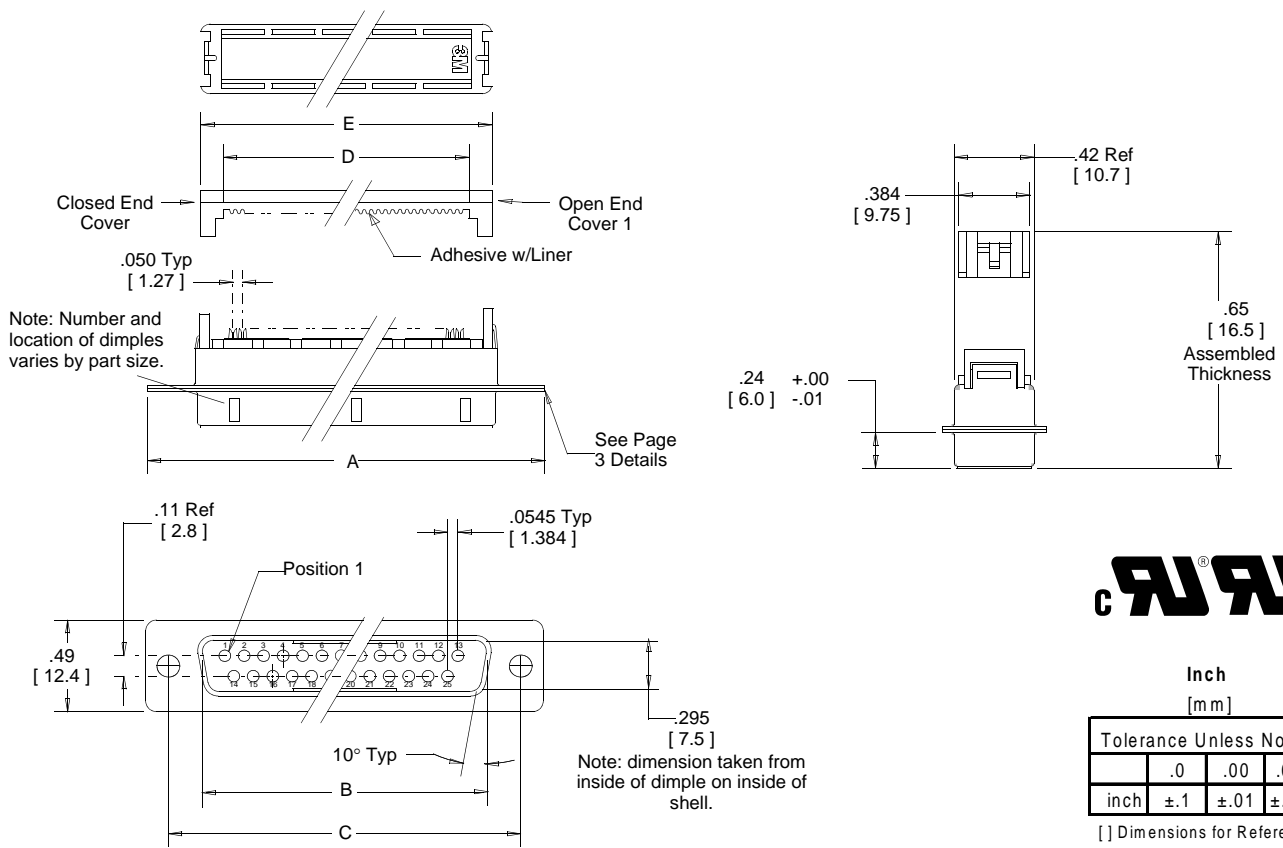
UL File No.: E68080

# 3M™ D Sub Plug

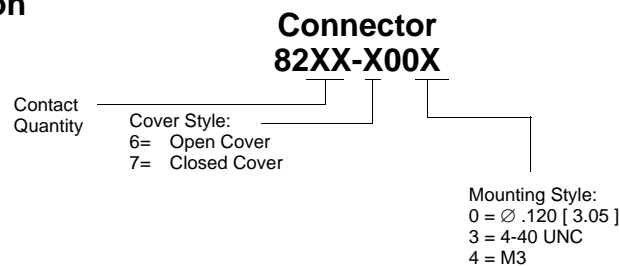
## Plug Connector

8200 Series

| Contact Quantity | Dimensions    |               |               |               |               |               |
|------------------|---------------|---------------|---------------|---------------|---------------|---------------|
|                  | A             | B             | C             | D             | E             | F ± .008      |
| 09               | 1.23 [ 31.2 ] | .67 [ 17.0 ]  | .98 [ 24.9 ]  | .46 [ 11.7 ]  | .67 [ 17.0 ]  | .70 [ 17.8 ]  |
| 15               | 1.56 [ 39.6 ] | 1.00 [ 25.4 ] | 1.31 [ 33.3 ] | .76 [ 19.3 ]  | .99 [ 25.1 ]  | 1.03 [ 26.2 ] |
| 25               | 2.10 [ 53.3 ] | 1.54 [ 39.1 ] | 1.85 [ 47.0 ] | 1.27 [ 32.3 ] | 1.54 [ 39.1 ] | 1.57 [ 39.9 ] |
| 37               | 2.74 [ 69.6 ] | 2.18 [ 55.4 ] | 2.50 [ 63.5 ] | 1.87 [ 47.5 ] | 2.19 [ 55.6 ] | 2.22 [ 56.4 ] |



### Ordering Information



### Strain Relief (Order Separately) 3448-8DXXA

09 = 9 Position  
15 = 15 Position  
25 = 25 Position  
37 = 37 Position

TS-0234-24  
Sheet 2 of 3

Assembly tools: 3M™ Press, 3640 (or equivalent), 3M™ Locator Plate, 3443-106N, 3M™ Platen, 3442-39N for (9 & 15 pos.) or 3442-41N for (25 & 37 pos.)

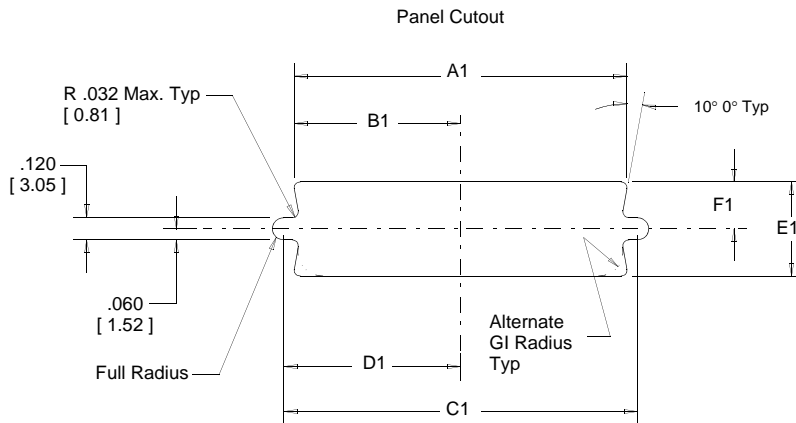
# 3M™ D Sub Plug

## Plug Connector

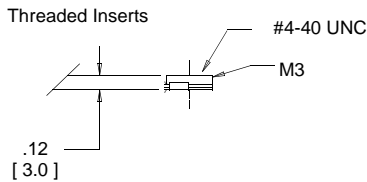
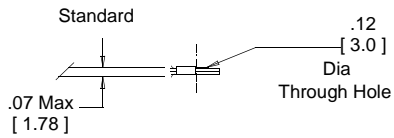
8200 Series

| Mounting Method* | Contact Quantity | Dimensions       |                  |                  |                  |                  |                 |                |
|------------------|------------------|------------------|------------------|------------------|------------------|------------------|-----------------|----------------|
|                  |                  | A1               | B1               | C1               | D1               | E1               | F1              | G1             |
| Front            | 9                | .87<br>[ 22.1 ]  | .44<br>[ 11.2 ]  | .98<br>[ 24.9 ]  | .49<br>[ 12.5 ]  | .51<br>[ 13.0 ]  | .26<br>[ 6.6 ]  | .12<br>[ 3.0 ] |
|                  | 15               | 1.20<br>[ 30.5 ] | .60<br>[ 15.2 ]  | 1.31<br>[ 33.3 ] | .66<br>[ 16.8 ]  |                  |                 |                |
|                  | 25               | 1.74<br>[ 44.2 ] | .87<br>[ 22.1 ]  | 1.85<br>[ 47.0 ] | .93<br>[ 23.6 ]  |                  |                 |                |
|                  | 37               | 2.39<br>[ 60.7 ] | 1.20<br>[ 30.5 ] | 2.50<br>[ 63.5 ] | 1.25<br>[ 31.8 ] |                  |                 |                |
| Rear             | 9                | 0.81<br>[ 20.6 ] | .40<br>[ 10.2 ]  | .98<br>[ 25.0 ]  | .49<br>[ 12.5 ]  | 0.45<br>[ 11.4 ] | 0.22<br>[ 5.6 ] | .12<br>[ 3.0 ] |
|                  | 15               | 1.13<br>[ 28.7 ] | .57<br>[ 14.5 ]  | 1.31<br>[ 33.3 ] | .66<br>[ 16.8 ]  |                  |                 |                |
|                  | 25               | 1.67<br>[ 42.4 ] | .84<br>[ 21.3 ]  | 1.85<br>[ 47.0 ] | .93<br>[ 23.6 ]  |                  |                 |                |
|                  | 37               | 2.33<br>[ 59.2 ] | 1.16<br>[ 29.5 ] | 2.50<br>[ 63.5 ] | 1.25<br>[ 31.8 ] |                  |                 |                |

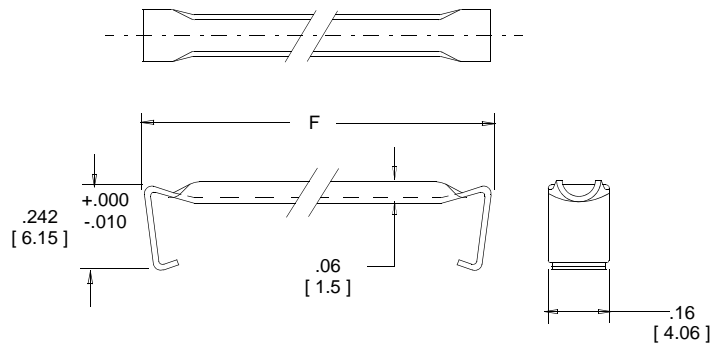
Front Mount-The connector is mounted in front of the panel.  
Rear Mount-The connector is mounted behind the panel.



### Mounting Styles



### Strain Relief (Order Separately) Material: Stainless Steel



TS-0234-24  
Sheet 3 of 3