

3M™ Mini D Ribbon (MDR) Connectors

.050" Surface Mount Vertical Receptacle - Shielded

102 Series



- Wiper-on-wiper contact for reliable repetitive plugging
- Interface latch design for connection stability
- IEEE 1284C Interface as a 36 contact connector
- Contacts: 20, 26 and 36
- RoHS* compliant version (PE plating) available

Date Modified: September 1, 2005

TS-0638-09
Sheet 1 of 3

Physical

Insulation Material: Glass Reinforced Polyester (PCT)

Flammability: UL 94V-0

Color: Beige

Contact Material: Copper Alloy (C521)

Plating

Underplating: 80 μ" (2.0 μm) Nickel

Wiping Area: 30 μ" (0.76 μm) Min Gold

Solder Tails: 200u" [5.08 um] tin-lead or flash gold (see ordering information)

Ground Lock Material: Zinc Alloy

Plating: Nickel

Shroud Material: Steel

Plating: Nickel

Marking: 3M Logo & Part Number

Electrical

Current Rating: 1 A

Insulation Resistance: $> 5 \times 10^8 \Omega$ at 500 VDC

Withstanding Voltage: 500 Vrms for 1 Minute

Environmental

Temperature Rating: -55°C to +105°C

Process Rating: Reflow solder process compatible up to 240-250°C for 10 sec.

*RoHS = Directive 2002/95/EC, Restriction of the Use of Certain Hazardous Substances in Electrical and Electronic Equipment
"RoHS compliant" means that the product or part does not contain any of the following substances in excess of the following maximum concentration values in any homogeneous material, unless the substance is in an application that is exempt under RoHS: (a) 0.1% (by weight) for lead, mercury, hexavalent chromium, polybrominated biphenyls or polybrominated diphenyl ethers; or (b) 0.01% (by weight) for cadmium. Unless otherwise stated by 3M in writing, this information represents 3M's knowledge and belief based upon information provided by third party suppliers to 3M.

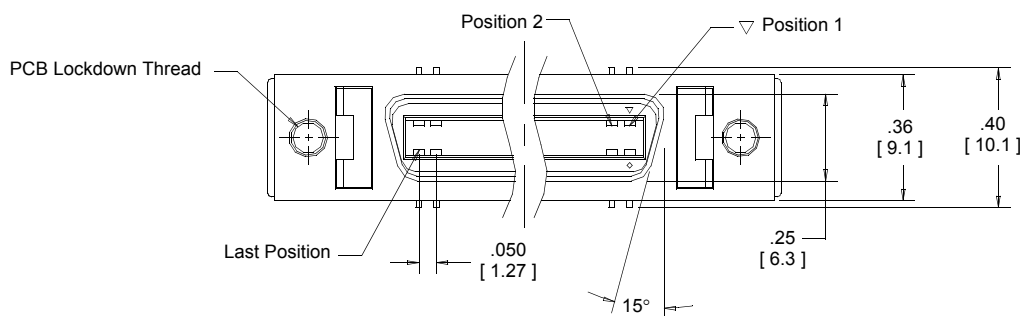
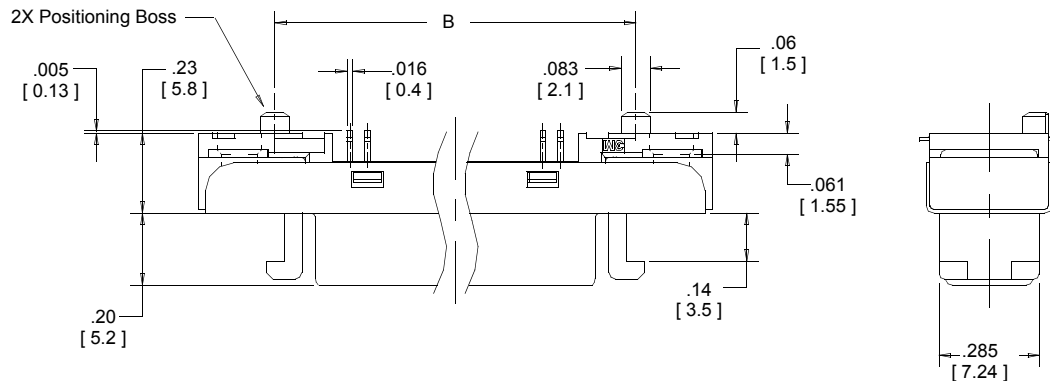
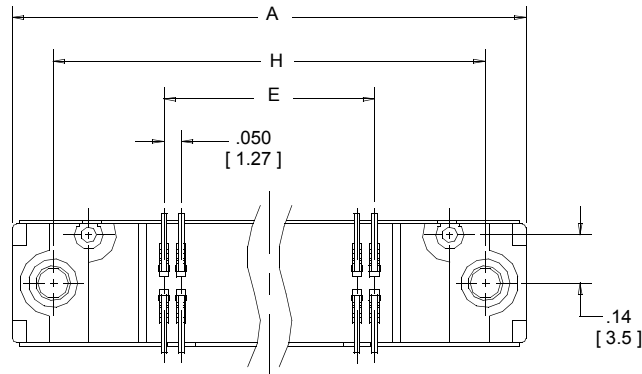
UL File No.: E68080

3M™ Mini D Ribbon (MDR) Connectors

.050" Surface Mount Vertical Receptacle - Shielded

102 Series

Pos	A	B	E	H	I
20	1.31 [33.4]	.879 [22.32]	.450 [11.43]	1.081 [27.45]	0.94 [23.8]
26	1.46 [37.2]	10.29 [26.13]	.600 [15.24]	1.231 [31.26]	1.09 [27.6]
36	1.71 [43.5]	1.279 [32.48]	.850 [21.59]	1.481 [37.61]	1.34 [33.9]



Inch
[mm]

Tolerance Unless Noted			
	.0	.00	.000
inch	±.1	±.01	±.005

[] Dimensions for Reference Only

Note:

- Solder tail tips are formed away from board, so tip dimension is greater than footprint total width.

Ordering Information

102XX-22X0XE

Contact Quantity

Panel / Board Retention Feature:

- 0 = M2.6 (special order)
- 1 = M2.5 (standard - See note 1)

Tail Plating:

- V = tin lead plating
- P = flash gold plating (RoHS compliant)

Note:

- When using the 3341-31 jacksocket and camera link cable assembly, the 3M connector part number is 10226-2210VE.

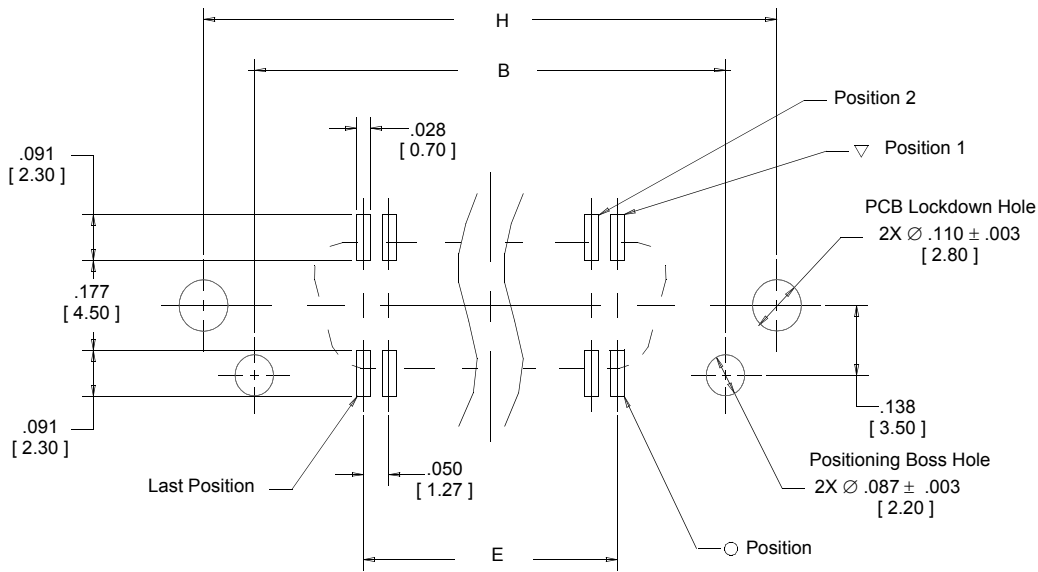
TS-0638-09
Sheet 2 of 3

3M™ Mini D Ribbon (MDR) Connectors

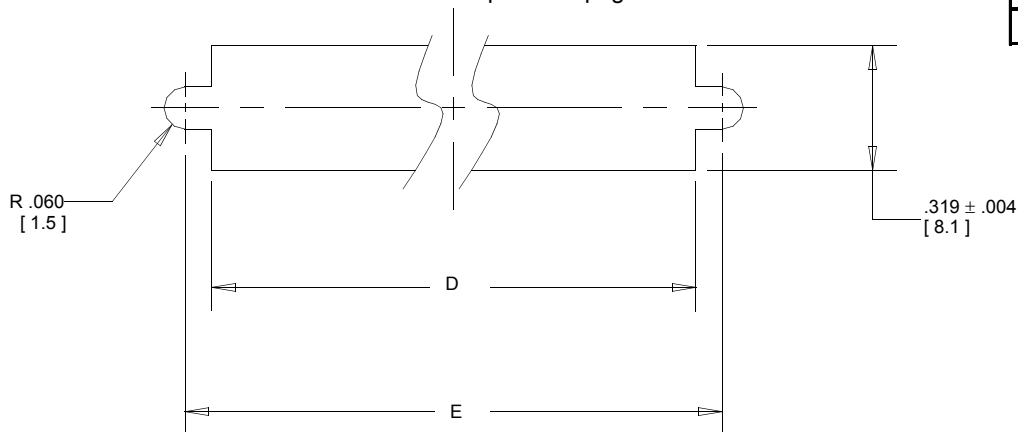
.050" Surface Mount Vertical Receptacle - Shielded

102 Series

Recommended Board Layout
View from Connector Side
 See Dim Table on previous page



Recommended Panel Cut-Out
 See Dim table on previous page



Inch
[mm]

Tolerance Unless Noted			
	.0	.00	.000
inch	±.1	±.01	±.005

[] Dimensions for Reference Only

Note: Panel Thickness .079 [2.00] Max.

TS-0638-09
 Sheet 3 of 3

Important Notice

All statements, technical information, and recommendations related to 3M's products are based on information believed to be reliable, but the accuracy or completeness is not guaranteed. Before using this product, you must evaluate it and determine if it is suitable for your intended application. You assume all risks and liability associated with such use. Any statements related to the product which are not contained in 3M's current publications, or any contrary statements contained on your purchase order shall have no force or effect unless expressly agreed upon, in writing, by an authorized officer of 3M.

3M

Electronics

6801 River Place Blvd.
Austin, TX 78726-9000
800/328-1368
www.3M.com/electronics

Warranty; Limited Remedy; Limited Liability.

This product will be free from defects in material and manufacture for a period of one (1) year from the time of purchase. **3M MAKES NO OTHER WARRANTIES INCLUDING, BUT NOT LIMITED TO, ANY IMPLIED WARRANTY OF MERCHANTABILITY OR FITNESS FOR A PARTICULAR PURPOSE.** If this product is defective within the warranty period stated above, your exclusive remedy shall be, at 3M's option, to replace or repair the 3M product or refund the purchase price of the 3M product. **Except where prohibited by law, 3M will not be liable for any indirect, special, incidental or consequential loss or damage arising from this 3M product, regardless of the legal theory asserted.**



Minimum 10%
Post-Consumer Fiber

Printed in USA.

© 3M 2005