



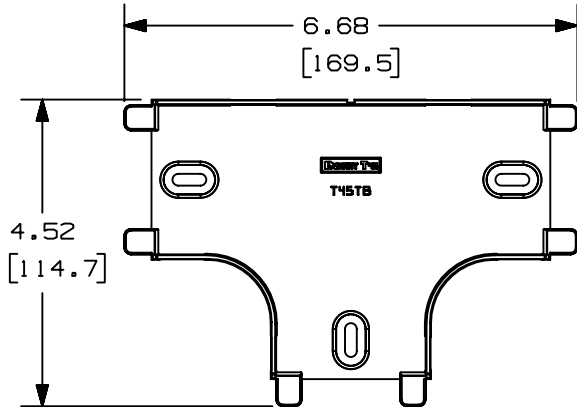
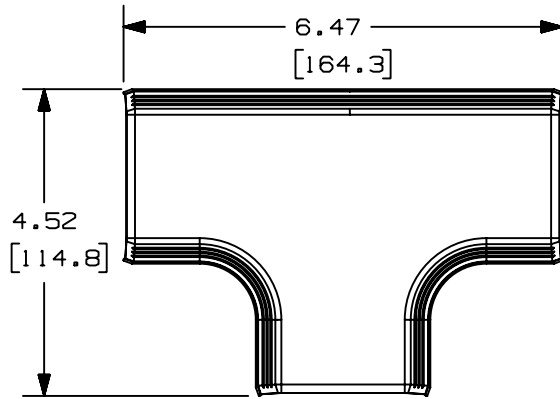
## T45TIW



- T-45 fittings have been designed to maintain the TIA/EIA required 1" minimum bend radius of high performance copper and fiber cabling systems.
- T-45 fittings are designed to maintain the TIA/EIA-568-B and 569-B required minimum bend radius for high performance copper and fiber optic cabling systems

▪ Part Number	T45TIW
▪ RoHS Compliancy Status	Compliant
▪ Part Description	Tee fitting. Used to join T-45 raceway at tee intersections.
▪ Product Type	Power Rated Fittings
▪ Color	Off White
▪ CSA 22.2 No.62-93	Yes
▪ UL5A Listed	Yes
▪ Fitting Type	Tee
▪ Bend Radius Control	Yes
▪ Pricing Description	T-45 Tee Fitting
▪ Product Size	45
▪ Min. Order UOM	PC
▪ Min. Order Qty.	1
▪ BOM Qty. (# of Pkgs.)	

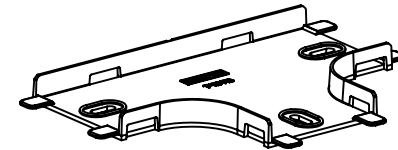
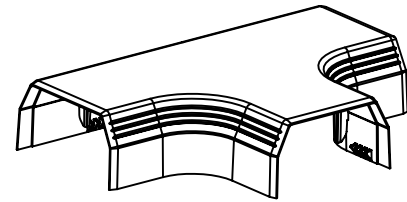
THIS COPY IS PROVIDED ON A RESTRICTED BASIS AND IS NOT TO BE USED IN ANY WAY DETRIMENTAL TO THE INTERESTS OF PANDUIT CORP.



PANDUIT P/N	WEIGHT
T45T	2.4 LB/10 PCS (1093 g/10 PCS)

NOTES:

- SEE CURRENT CATALOG FOR ADDITIONAL PART NUMBER SUFFIXES TO INDICATE COLOR AND/OR PACKAGE QUANTITY.
- THIS PRODUCT IS INTENDED TO BE USED WITH PANDUIT TYPE T-45 RACEWAY.
- THIS PRODUCT IS FEATURED WITH A 1" BEND RADIUS.



CAD FILENAME/LAYERS D36975EE\_DC\_T45T\_00A.PRT

PANDUIT CORP. TINLEY PARK, ILLINOIS  
T-45 TEE FITTING (T45T)  
CUSTOMER DRAWING

UNLESS OTHERWISE SPECIFIED, DIMENSIONAL TOLERANCES ARE:  
(.X) ± (.XXX) ±  
(.XX) ±.03 (.8) ANGLES ±

UNLESS OTHERWISE SPECIFIED, ALL DIMENSIONS ARE GIVEN IN INCHES, THIRD ANGLE PROJECTION.

DRAWN BY RABO	MAT'L: PVC	SCALE NONE	DWG A
DATE 11-17-99		DRAWING NO. 36975-70	SIZE
CHECKED BY KJF			

REV	DATE	BY	CHK	DESCRIPTION	ECN	CHK	CUST	SUP
R	11-17-99	RABO	KJF	RELEASED TO PRODUCTION.	36975-70	RN	HIW	