



Neutrik® - Modular System

[back](#)

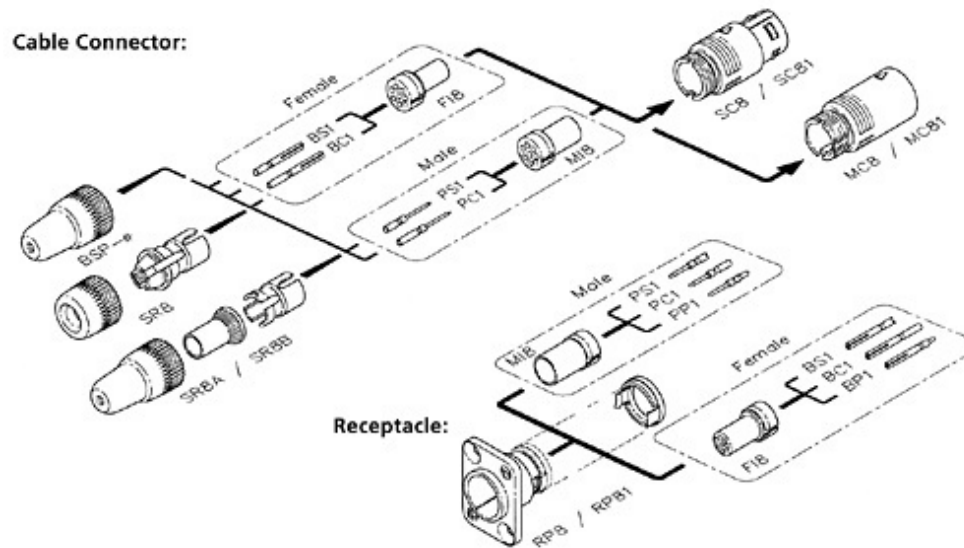
[Print](#)

SC8



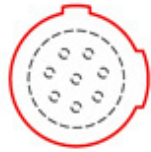
Cable connector housing for female and male inserts, black coated, 180° coding.

Neutrik® modular system

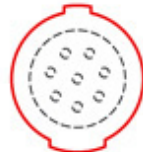


.

Coding 90°



Coding 180°



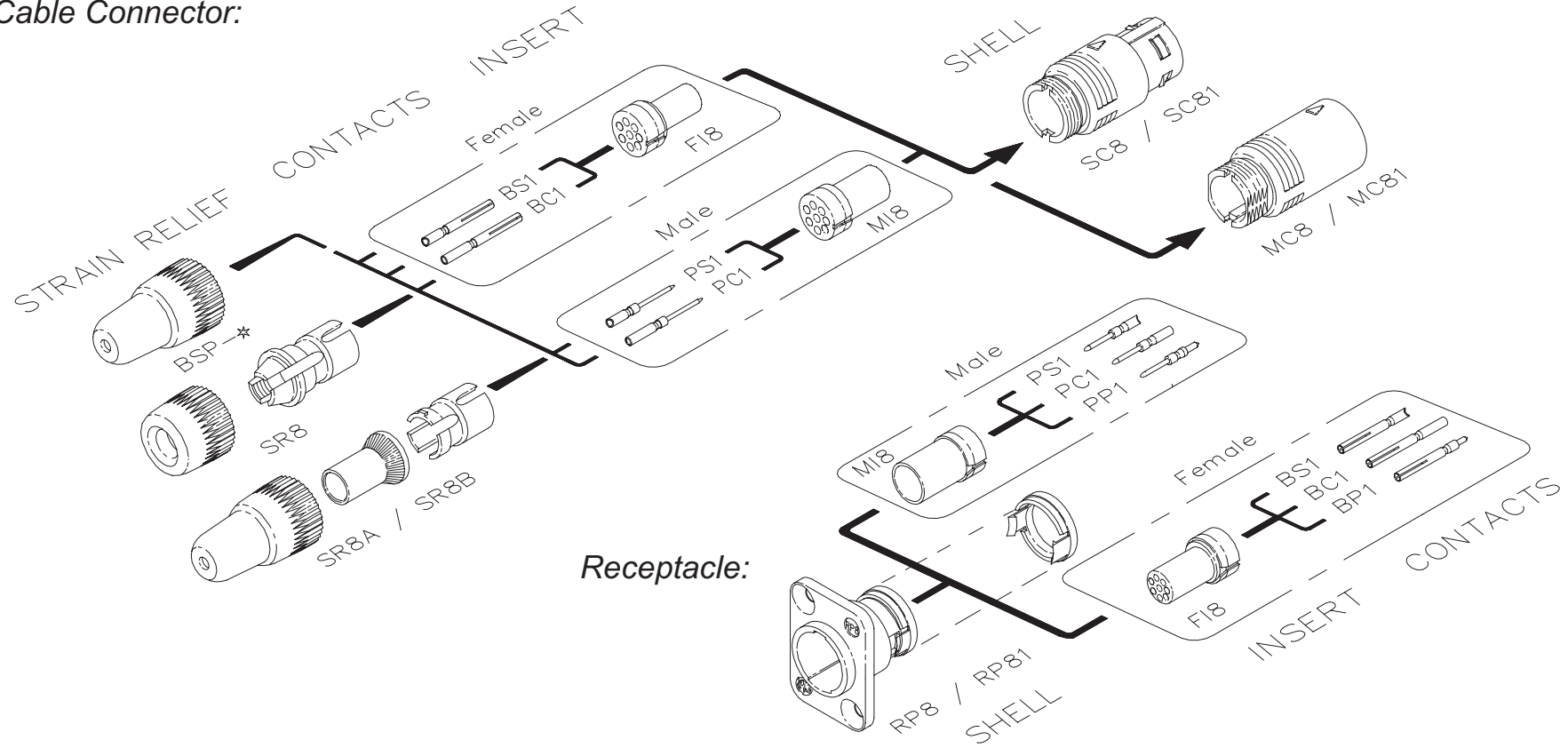
Neutricon® Connectors

The Neutricon® connectors are designed for multipin / industrial applications in harsh and demanding environment. The very robust all metal circular connector offers easy and screwless assembly, flexible part combination and a push pull locking mechanism.

Features & Benefits

- Contact configuration can be selected from 1 to 8 contacts.
- Easy assembly: Contact soldering / crimping in disassembled condition avoids awkward wiring of high density contacts.
- Precise and robust all metal housing
- Push-pull self-locking system
- Coding system possible (polarization)
- The male and female insert can be assembled in the cable connector and chassis housing.

Cable Connector:



Receptacle:

Ind.	Aenderung	Datum	Name	Werkstoff:	Massstab:	Gezeichnet	Datum	Name
				*)Lieferant darf ohne Ruecksprache nicht gesendert werden		19.11.02	19.11.02	Blattlogg
							Geprueft	
				Zeichnung urheberrechtlich geschuetzt (DIN 34) (C)			Gesehen	
				Benennung: Neutricon Modular System			Ersetzt durch:	Blatt
							Ersatz fuer:	von Blatt
				NEUTRIK AG FL-9494 SCHAAN			Zeichn. Nr.	3102 St 19 24

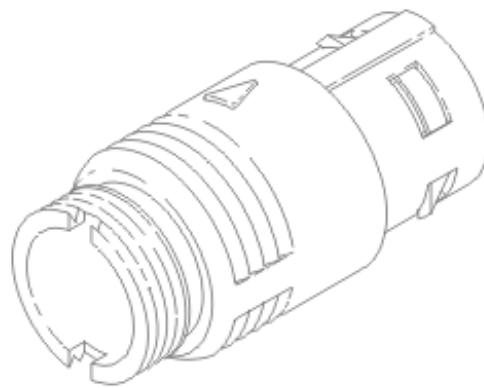


Neutricon® - Modular System



Industry

SC8



There are no technical infos for this product.

Product	
Connector Type	Neutricon
Electrical	
Mechanical	
Lifetime	> 1000 mating cycles
Locking device	Push-Pull
Material	
Environmental	
Optical	
Mobile Cables	