




HBL8315CT -- Hospital Grade Plug



2P3W, 20A 125V, NEMA 5-20P, Transparent

Product Specifications	
Product Type	 <p>Plugs</p>
Plug/Connector Type	Insulgrip
Amperage	20A
Voltage	125V AC
Poles and Wires	2 Pole, 3 Wire
Color	 <p>Clear</p>
Body Style	Straight
M Drawings	Click here for M-Drawing
Catalog Page	Click here for catalog page I8
Hubbellnet	Click here for Hubbellnet
Catalog Section	Click here for Section-I

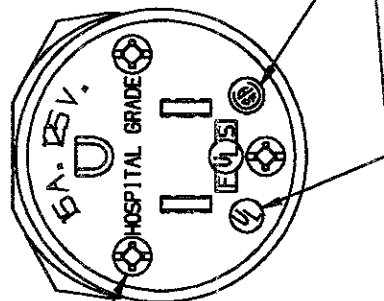
UPC Number	78358518005
Weight in LBs	0.15

 <p>NEMA 5-20P 20A 125V UL CSA 1 HP</p>
NEMA Configuration

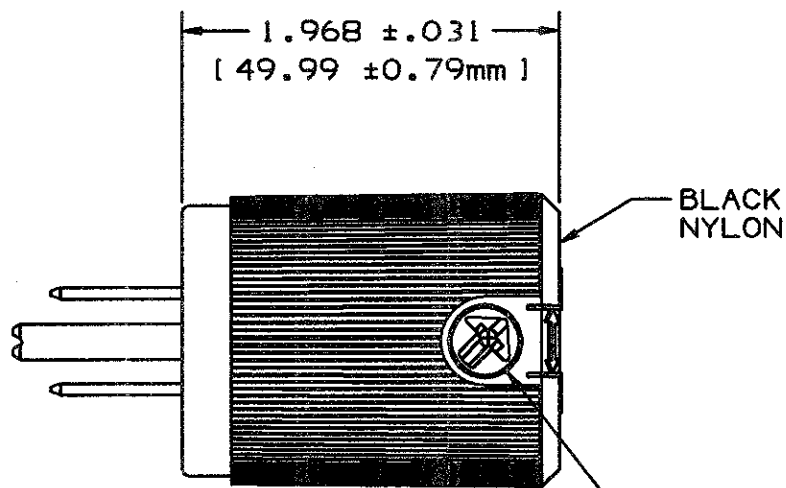


M-7289 3

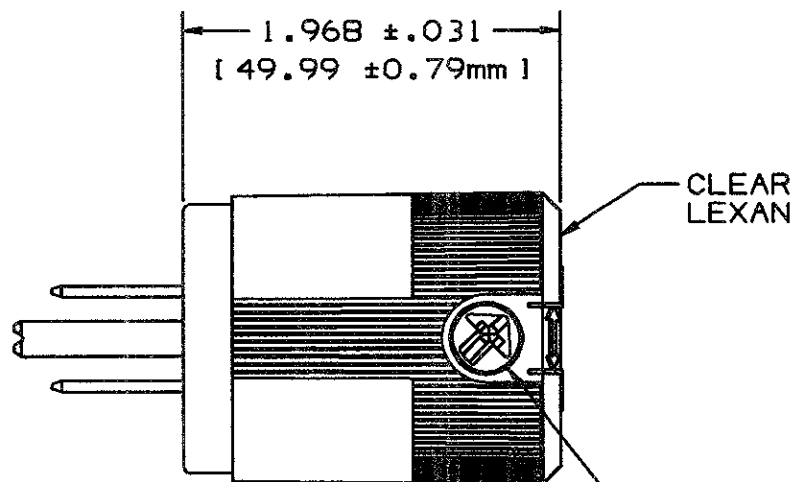
AGENCY LISTING PER TABLE



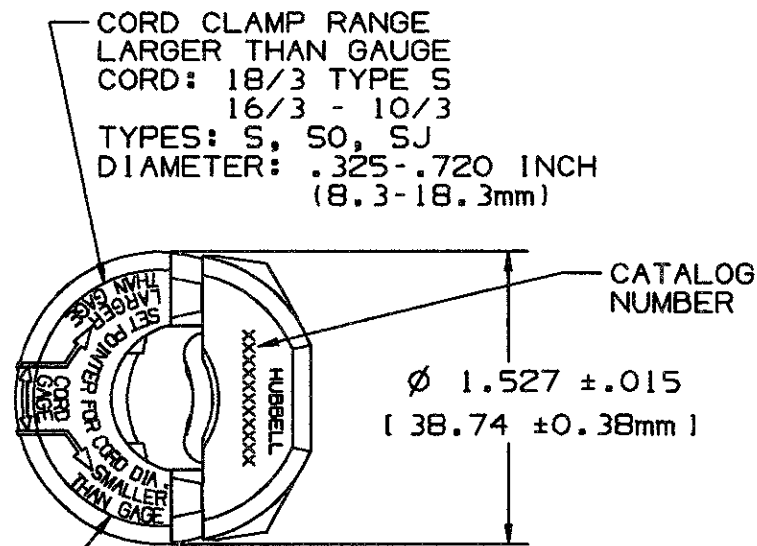
ALL SCREWS ARE COMBINATION ROBERTSON/PHILLIPS/SLOTTED HEAD



INTEGRAL VARISIZE[®] INSERT



INTEGRAL VARISIZE[®] INSERT



CORD CLAMP RANGE LARGER THAN GAUGE
CORD: 18/3 TYPE S
16/3 - 10/3
TYPES: S, 50, SJ
DIAMETER: .325-.720 INCH
(8.3-18.3mm)

CORD CLAMP RANGE SMALLER THAN GAUGE
CORD: 18/3 - 16/3
TYPES: SV, SJ
DIAMETER: .230-.360 INCH
(5.8-9.1mm)

LIST OF PARTS

DESCRIPTION	MATERIAL	FINISH
BLADE HOLDER	NYLON	NATURAL
RETAINER	LEXAN	CLEAR
COVER	LEXAN	CLEAR
COVER	NYLON	BLACK
INSERT	NYLON	BLACK
CORD CLAMP	NYLON	NATURAL
WIRE CLAMP	.080 CRS	NICKEL PL
CONTACT BLADE	.060	*
	BRASS	
GROUND CONTACT BLADE	.040	
	BRASS	
BINDING SCREW	BRASS	*
GROUND HEX HEAD BINDING SCREW	BRASS	GREEN
CORD CLAMP SCREWS	STEEL	ZINC PL
ASSY SCREWS	STEEL	ZINC PL

*WHITE FINISH ON NEUTRAL PARTS

SYM	REVISIONS	APP	DATE
3	OBSOLETE CANADIAN CAT NO'S CHANGED SCREWS TO TRI-DRIVE PER DCN #7773 AMZ	DB	7/24/00
2	ADDED CANADIAN CAT. NO. (BLACK COVER & INSERT) COLUMN TO TABLE PER DCN #3415 RCM	ZIMM	3/27/95
1	"X" REMOVED PER DCN #3295 RCM	ZIMM	1/12/95

THE DESIGN AND DIMENSIONS OF THE PRODUCT SHOWN ON THIS DRAWING ARE SUBJECT TO CHANGE WITHOUT NOTICE

TITLE INSULGRIP[®] HOSPITAL GRADE 2 POLE 3 WIRE GROUNDING STRAIGHT BLADE PLUG

TOLERANCES UNLESS OTHERWISE SPECIFIED	WIRING DEVICE-KELLEMS HUBBELL INCORPORATED BRIDGEPORT, CT	
FRACTIONS ± 1/64	DR. BY RCM	APP. BY ZIMM
DECIMALS ± .005	TR. BY	SCALE //
ANGLES ± 2°	CHK'D BY ZIMM	DATE 1/12/95

CAT. NO. (BLACK COVER & INSERT)	CAT. NO. (CLEAR COVER & BLACK INSERT)	CANADIAN CAT. NO. (BLACK COVER & INSERT)	CANADIAN CAT. NO. (CLEAR COVER & BLACK INSERT)	CONFIGURATION	RATING	UL	CSA
HBL8215C	HBL8215CT	HBL8215CCN	HBL8215CTCN	NEMA 5-15P	15A. 125V.	YES	YES
HBL8315C	HBL8315CT			NEMA 5-20P	20A. 125V.	YES	YES

DIMENSION SHEET FOR CAT. NO. M-7289
 SEE TABLE
 REPAIRABLE NON-REPAIRABLE
 B
 M-7289
 W

Hospital Products

2 Pole, 3 Wire Grounding

15 and 20 Ampere, 125 and 250 Volts Straight Blade

Hospital Grade Plugs

NEMA 5-15P
15A 125V
UL CSA
0.5 HP



NEMA 5-20P
20A 125V
UL CSA
1 HP

Insulgrip®, Hospital Grade Plugs

Description	Cord Dia.	Catalog Numbers
Black and white nylon.	.230"-.720" (5.8-18.3)	HBL8215C™ HBL8315C™
Transparent housing.	.230"-.720" (5.8-18.3)	HBL8215CT HBL8315CT
8 position angle plug, transparent housing.	.250"-.665" (6.4-16.8)	HBL8215CAT* HBL8315CAT*

ERGO™ Grip, Hospital Grade Plugs

Description	Cord Dia.	Catalog Numbers
Overmolded white nylon.	.300"-.600" (7.6-15.25)	HBL8565E* HBL8586E*

Valise®, Hospital Grade Plugs

Description	Cord Dia.	Catalog Numbers
White nylon.	.300"-.660" (7.6-16.8)	HBL8115V HBL8364V
Insulation displacement, white nylon.	.300"-.660" (5.8-9.1)	HBL8013V* -

ERGO™ Grip, Hospital Grade Plugs

Description	Cord Dia.	Catalog Numbers
Overmolded white nylon.	.300"-.600" (7.6-15.25)	HBL8566E* HBL8576E*

Valise®, Hospital Grade Plugs

Description	Cord Dia.	Catalog Numbers
White nylon.	.300"-.660" (7.6-16.8)	HBL8666V HBL8464V

Note: * Not Fed Spec Listed



NEMA 6-15P
15A 250V
UL CSA
2 HP



NEMA 6-20P
20A 250V
UL CSA
2 HP